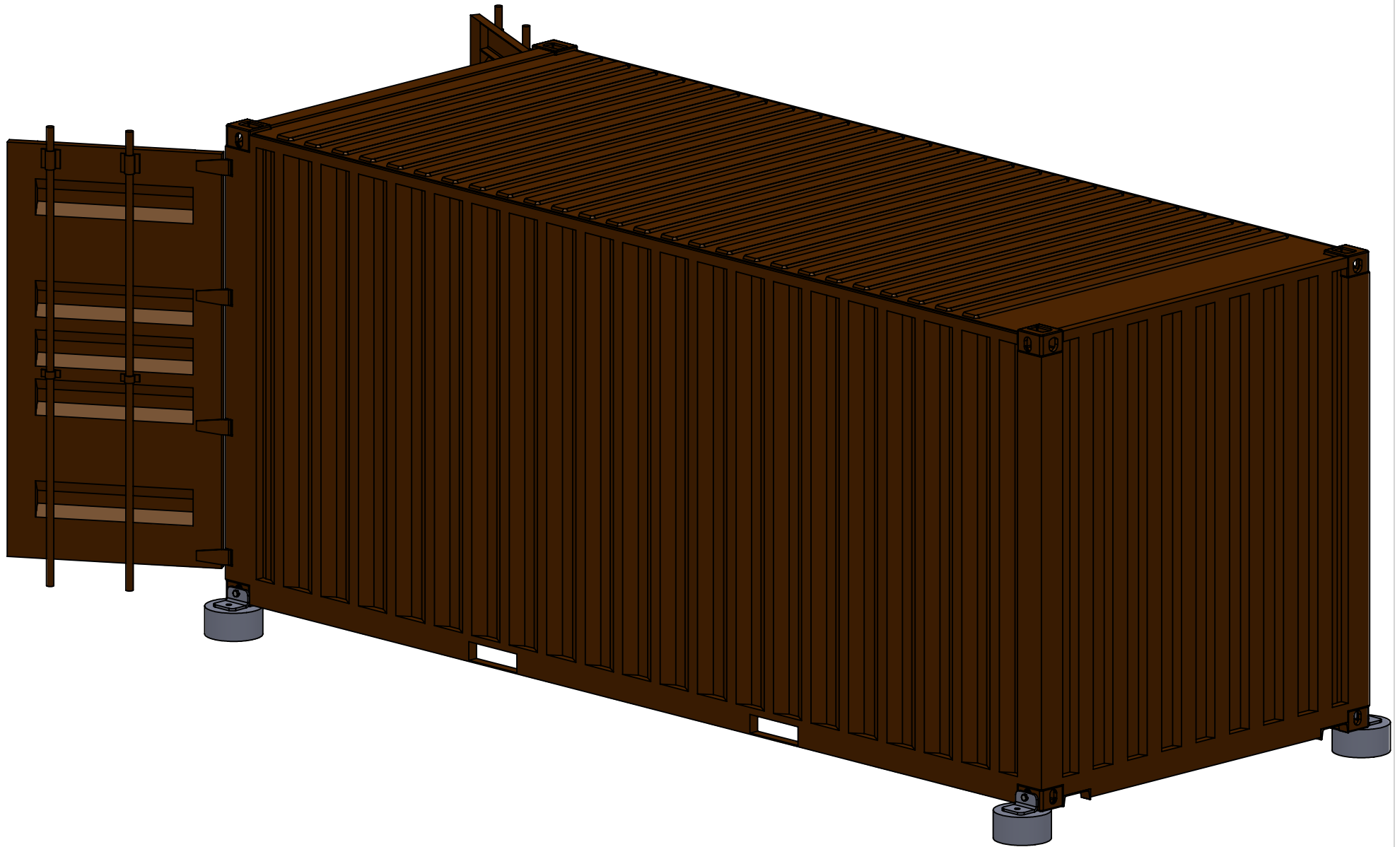
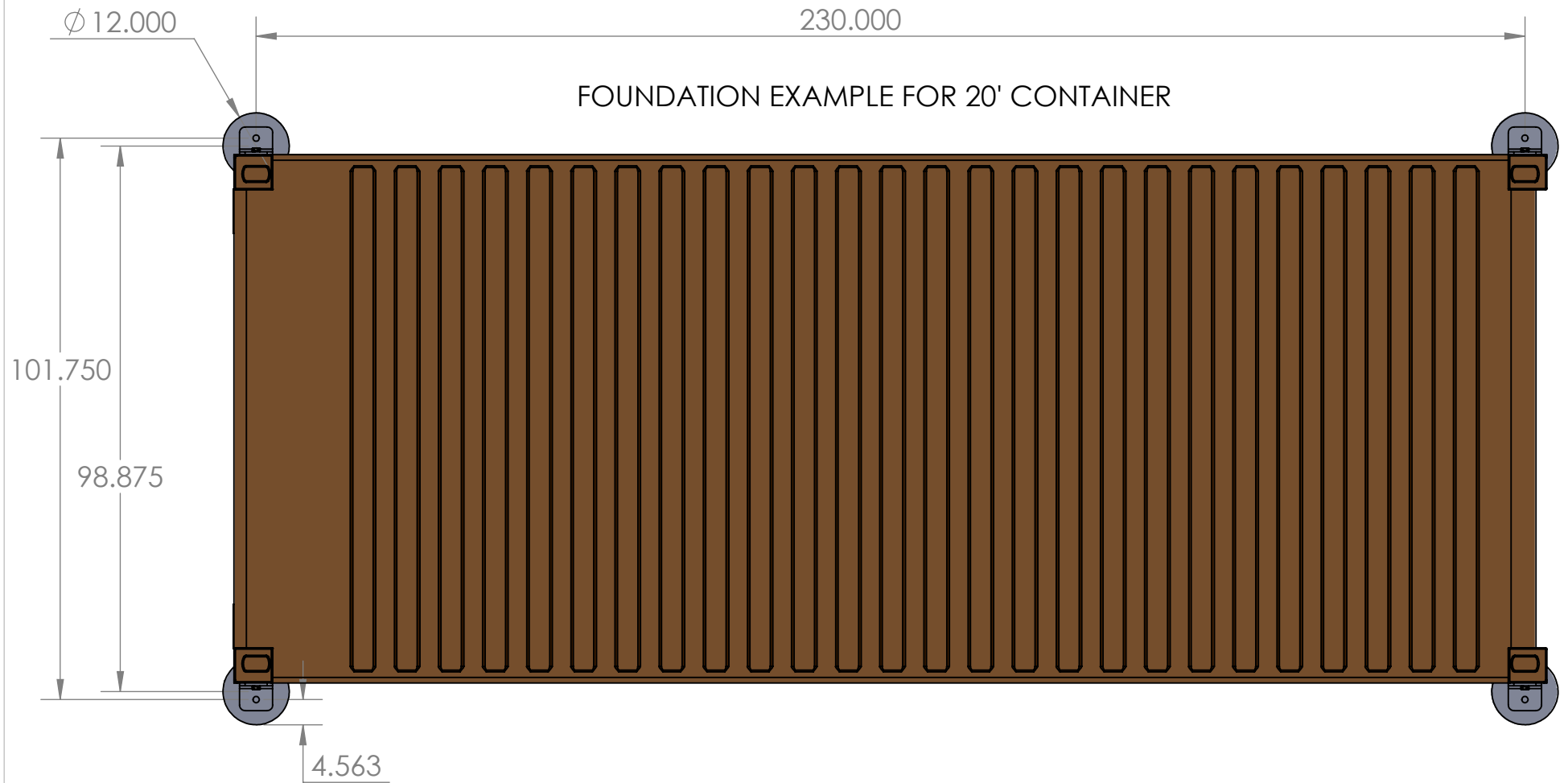


## CONTAINER MOUNTING FEET OVERVIEW

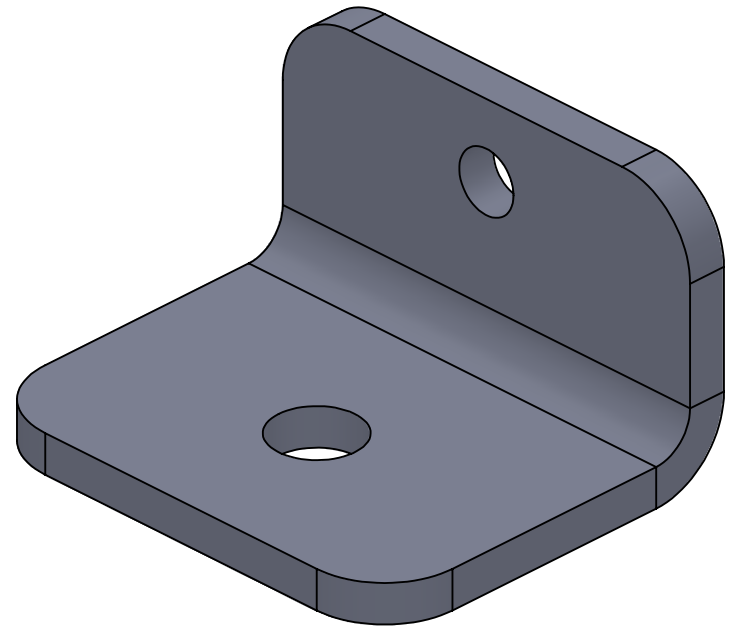
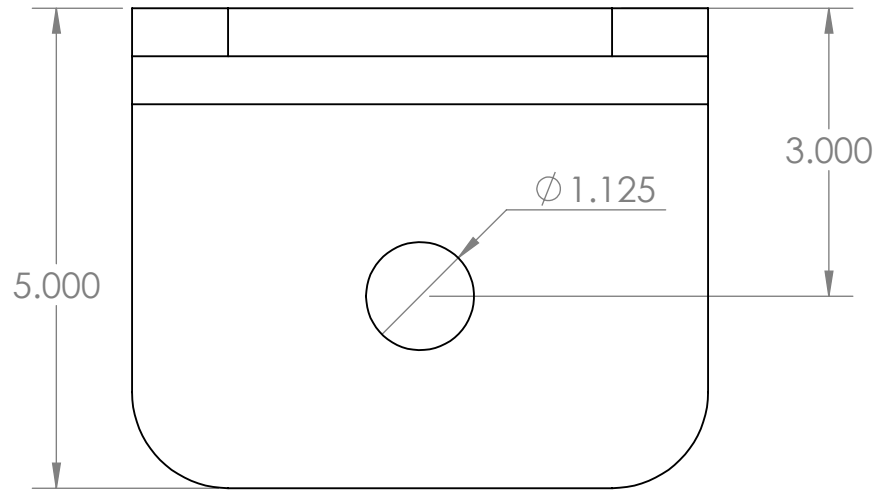
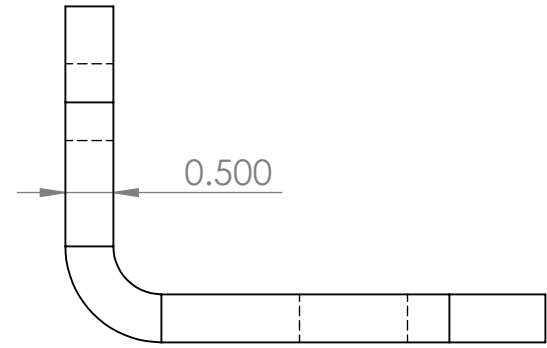
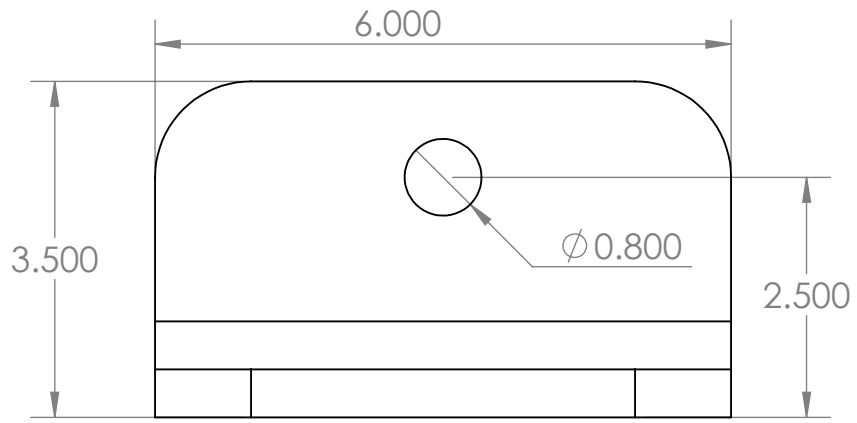
- MOUNTING FEET ARE DESIGNED FOR 12" DIAMETER AND LARGER FOOTINGS
- 1-1/8" HOLE FOR 1" CONCRETE ANCHORS
- HEAVY DUTY 3/4" HARDWARE ATTACHES FOOT TO CONTAINER



**CONTAINER MOUNTING FEET**  
FOUNDATION DETAILS



# CONTAINER MOUNTING FEET DIMENSIONS



## CONTAINER MOUNTING FEET INSTALLATION

- (1) INSTALL MOUNTING FOOT ON CONTAINER
- (2) DRILL HOLE INTO CONCRETE
- (3) INSTALL ANCHOR INTO CONCRETE
- (4) TIGHTEN ANCHOR NUT

