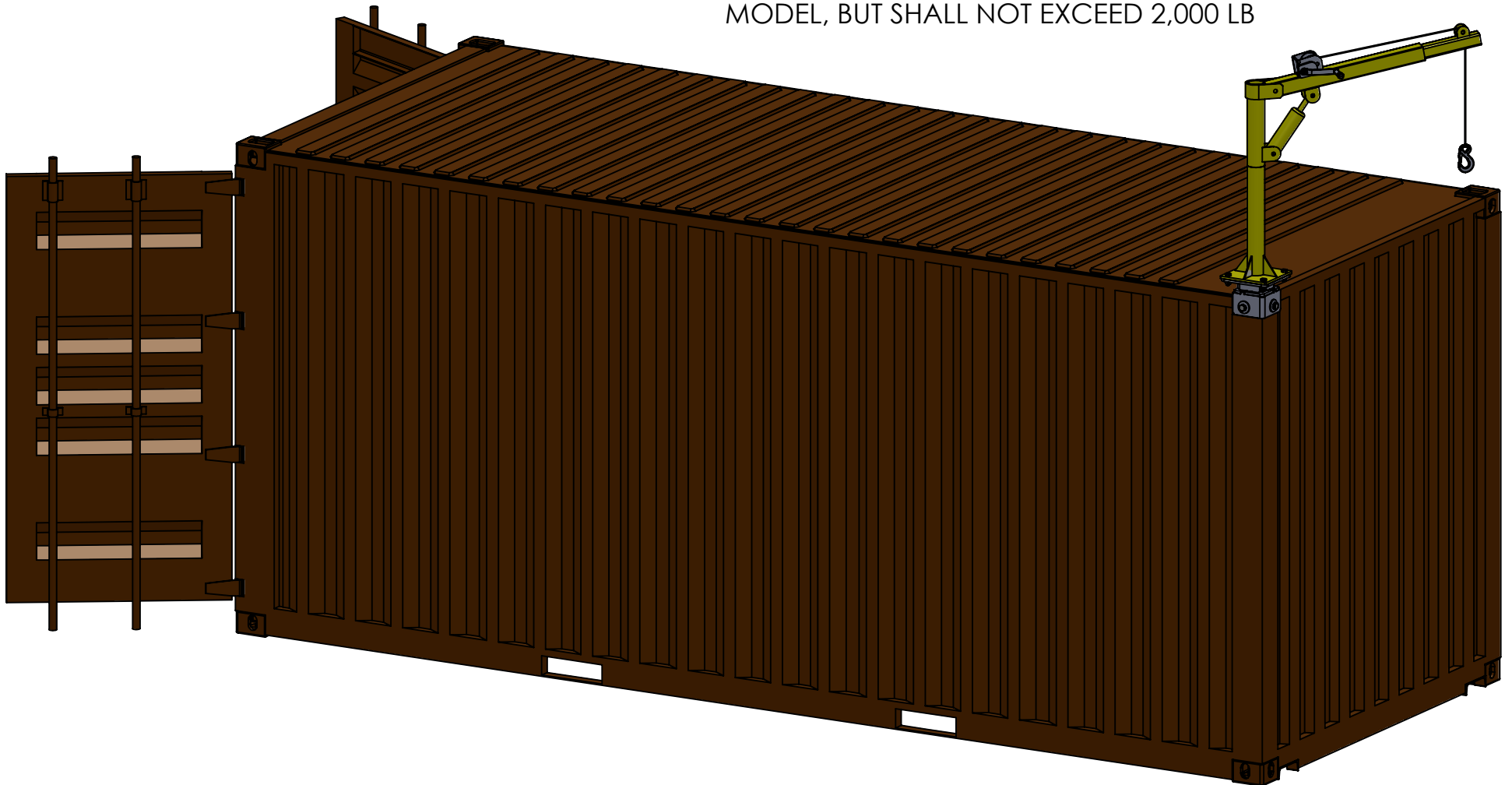


CONTAINER CRANE MOUNT OVERVIEW

- CRANE IS MOUNTED TO SHIPPING CONTAINER CORNER FITTING
- UNIVERSAL MOUNT FITS ON ANY OF THE FOUR TOP CORNER FITTINGS
- SIMPLE, 30 MINUTE INSTALLATION WITH BASIC HAND TOOLS
- MOUNT ACCOMMODATES VARIOUS CRANE MODELS AND CAPACITIES
(NORTHERN TOOL #142919 SHOWN)

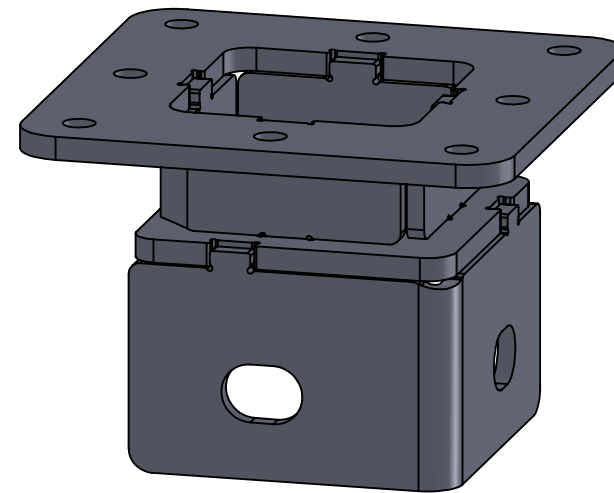
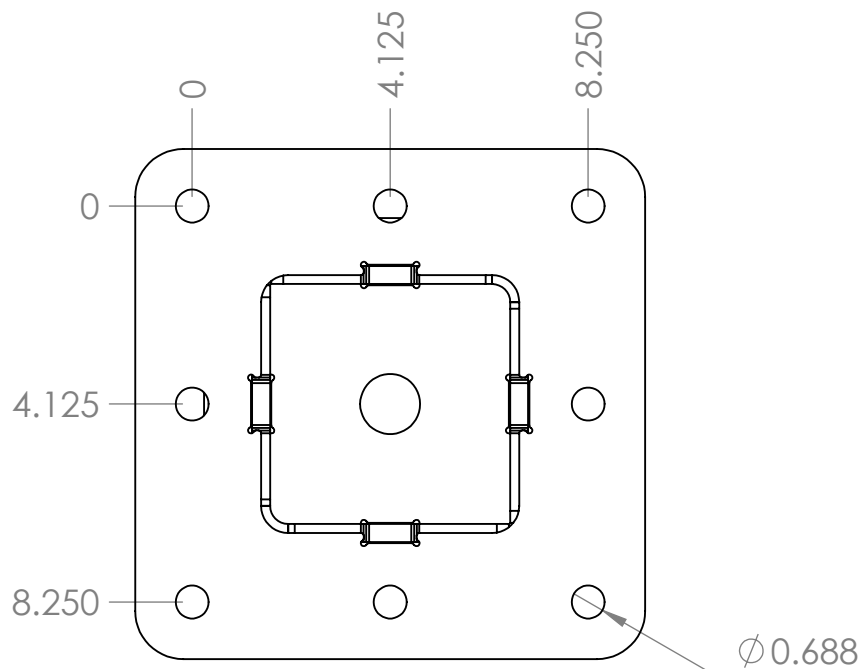
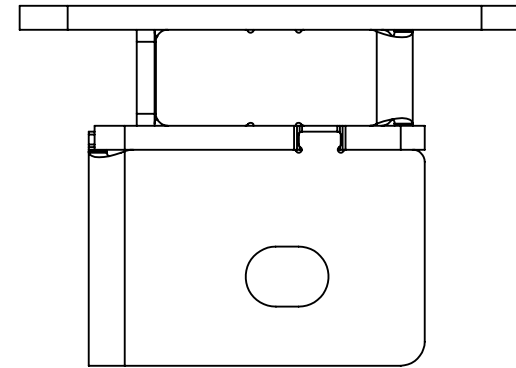
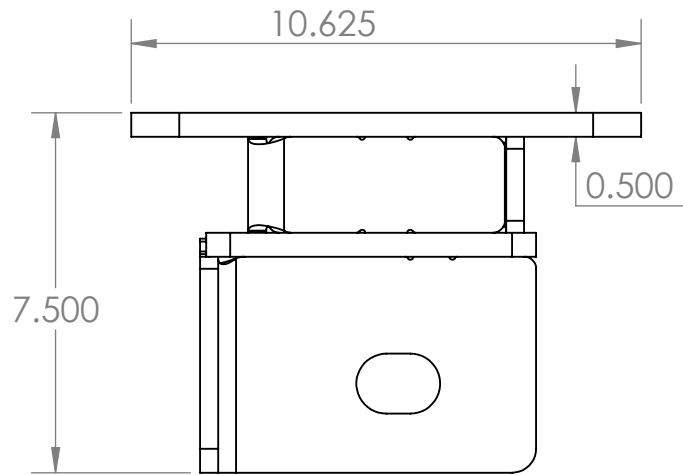
MAX LIFTING CAPACITY IS DETERMINED BY CRANE
MODEL, BUT SHALL NOT EXCEED 2,000 LB



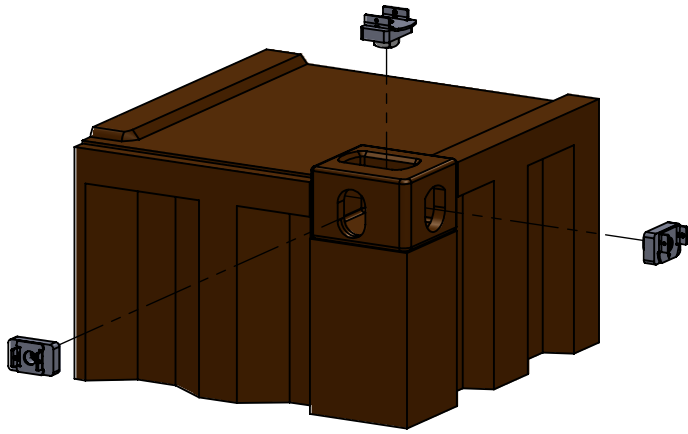
CONTAINER CRANE MOUNT OVERVIEW

FEATURES:

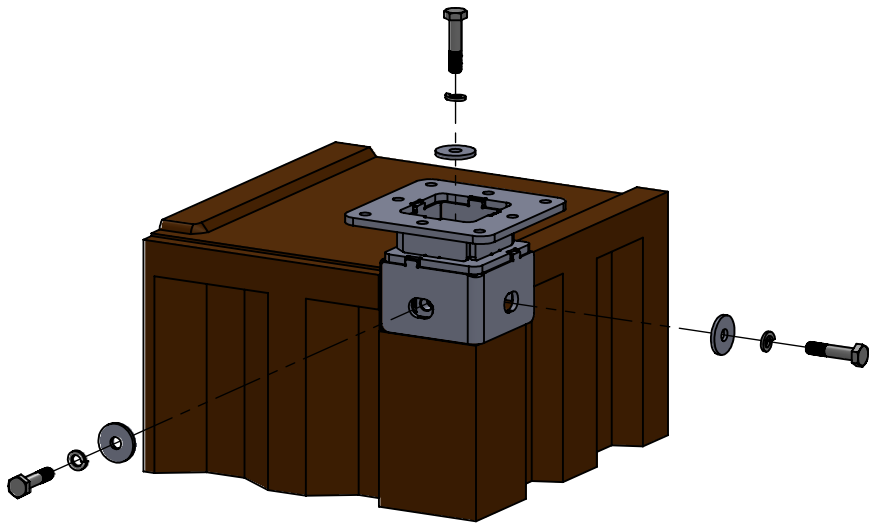
- 1/2" AND 3/8" WELDED STEEL CONSTRUCTION
- UNIVERSAL MOUNTING FITS ON ANY CORNER OF CONTAINER
- HOT DIPPED GALVANIZED FOR CORROSION PROTECTION
- STANDARD BOLT PATTERN
(ADAPTERS AVAILABLE TO FIT OTHER BOLT PATTERNS)



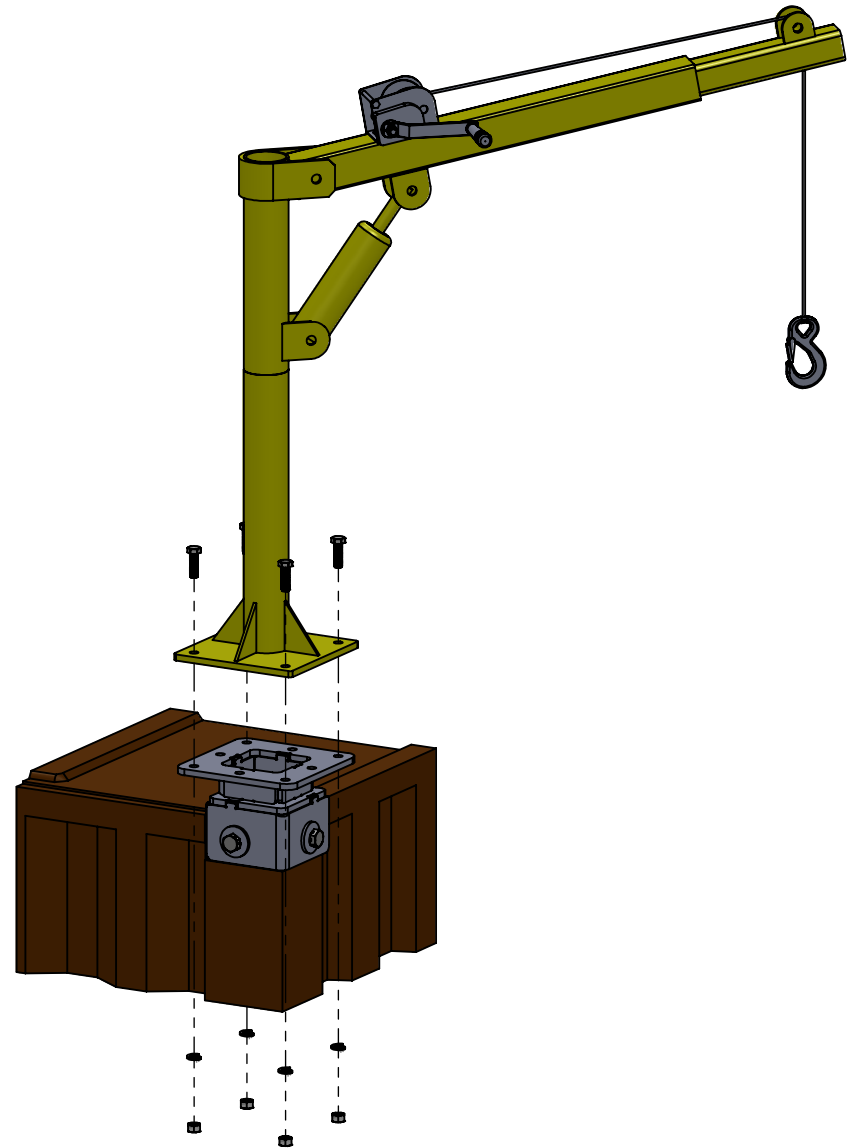
CONTAINER CRANE MOUNT INSTALLATION OVERVIEW



STEP 1: INSTALL MOUNTING NUTS



STEP 2: PLACE MOUNT AND INSTALL HARDWARE



STEP 3: BOLT DOWN CRANE