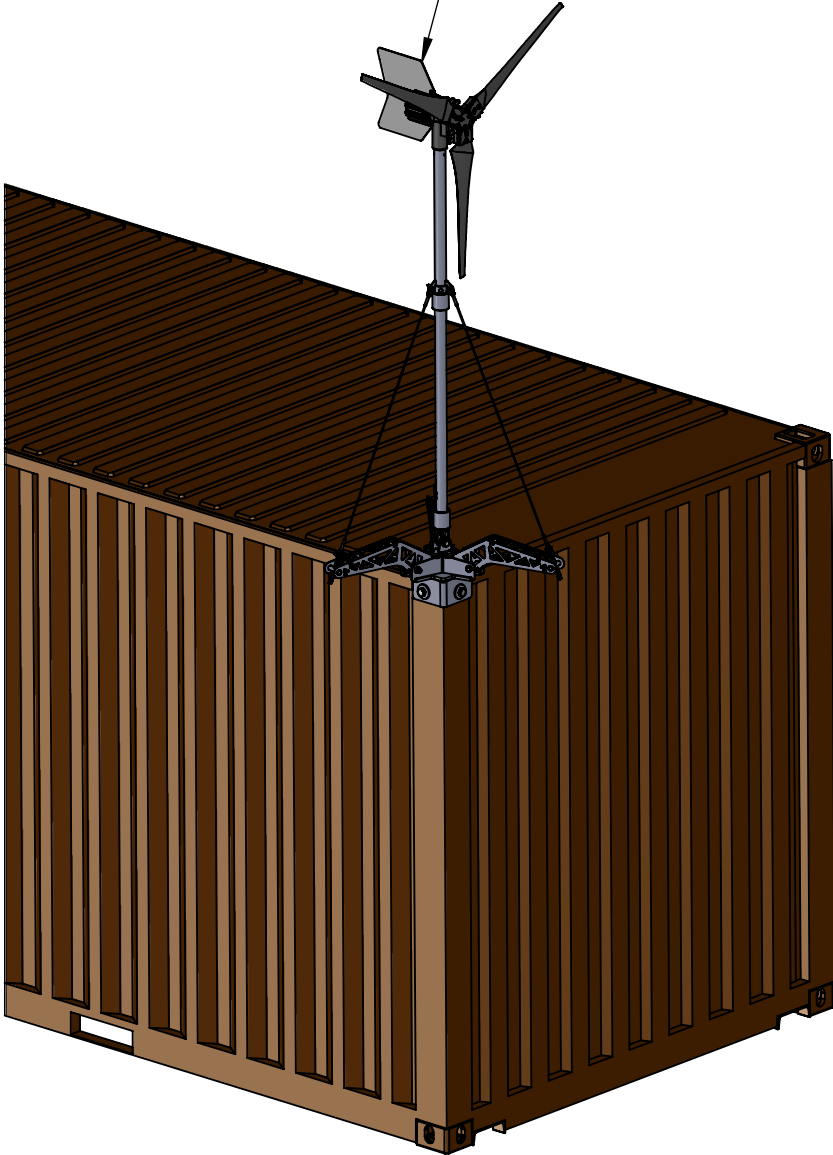
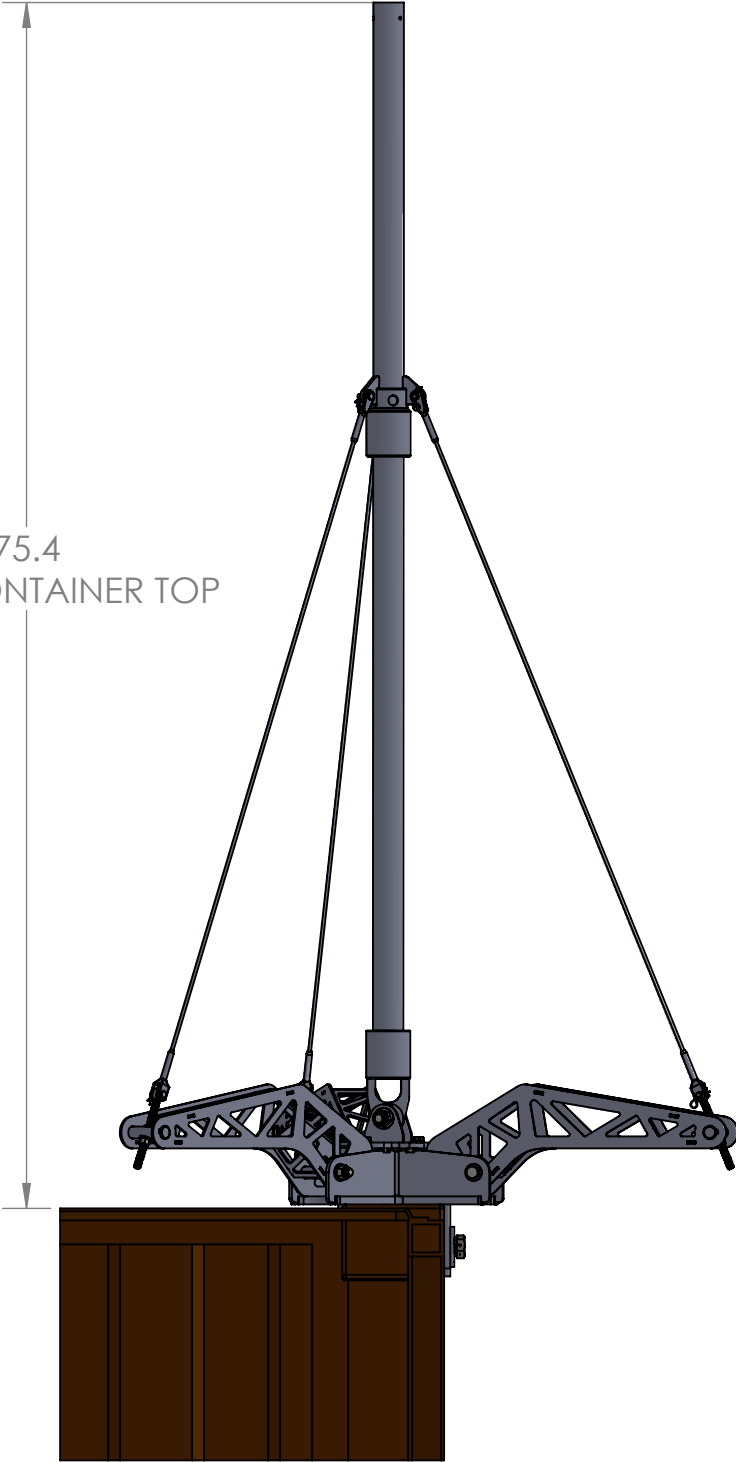


CONTAINER TURBINE MOUNT
OVERVIEW

DESIGNED FOR APRS WORLD WT14



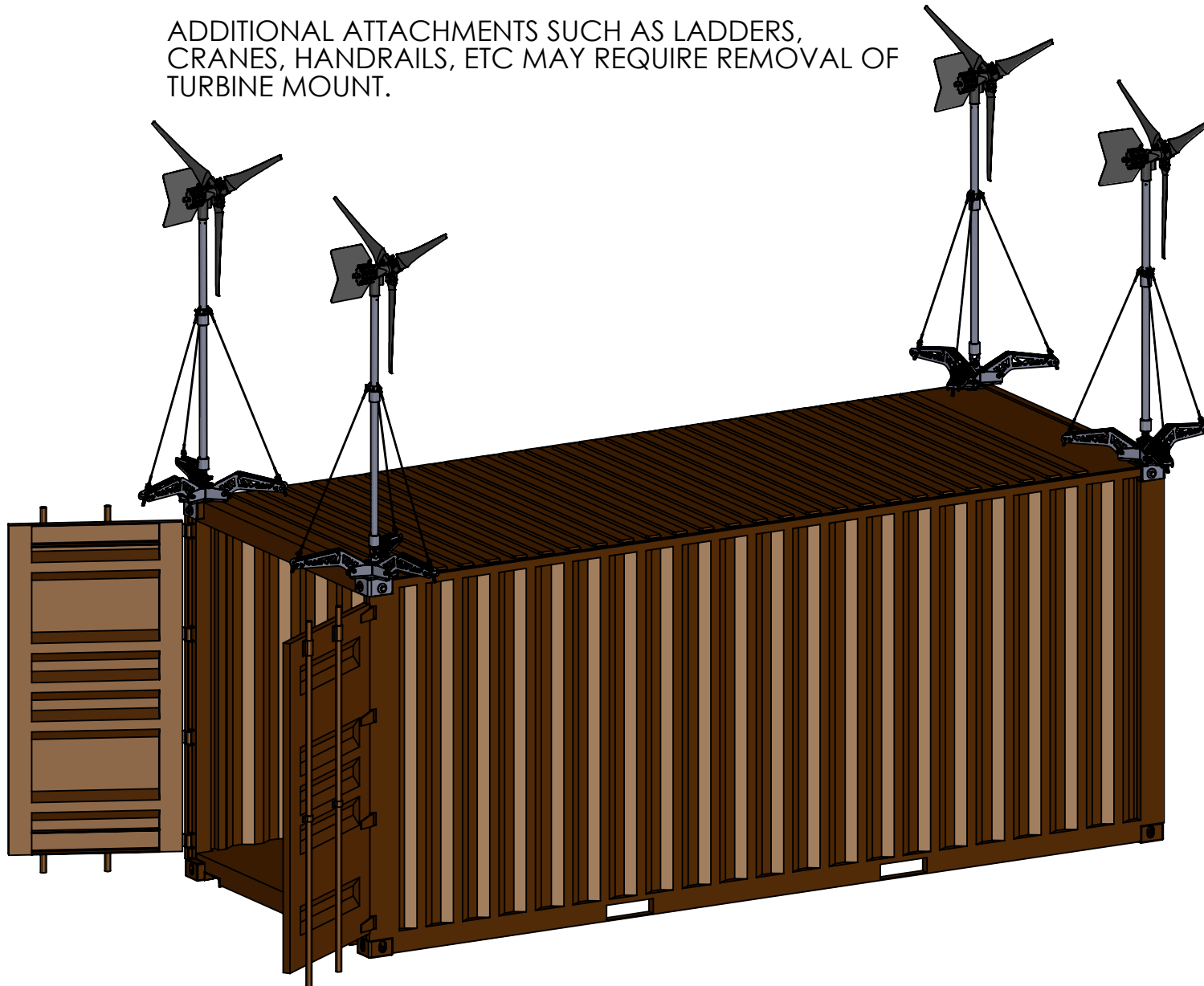
75.4
FROM CONTAINER TOP



CONTAINER TURBINE MOUNT PLACEMENT

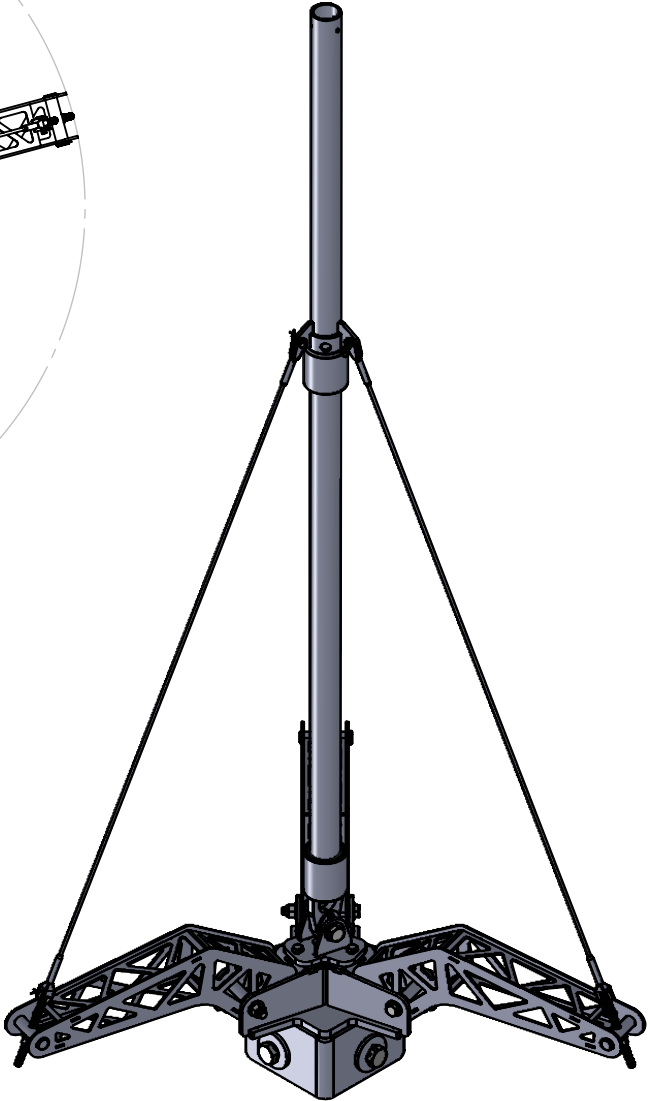
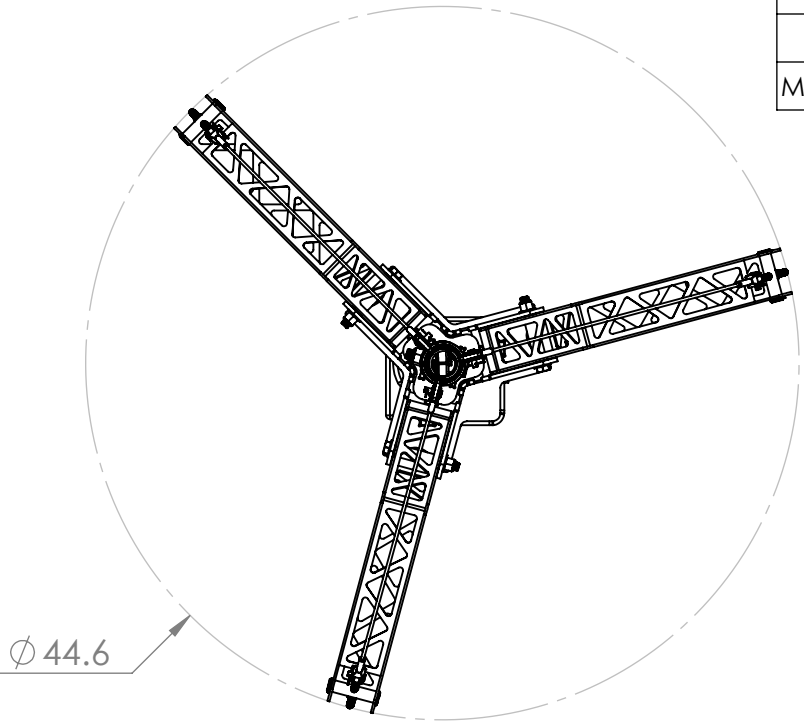
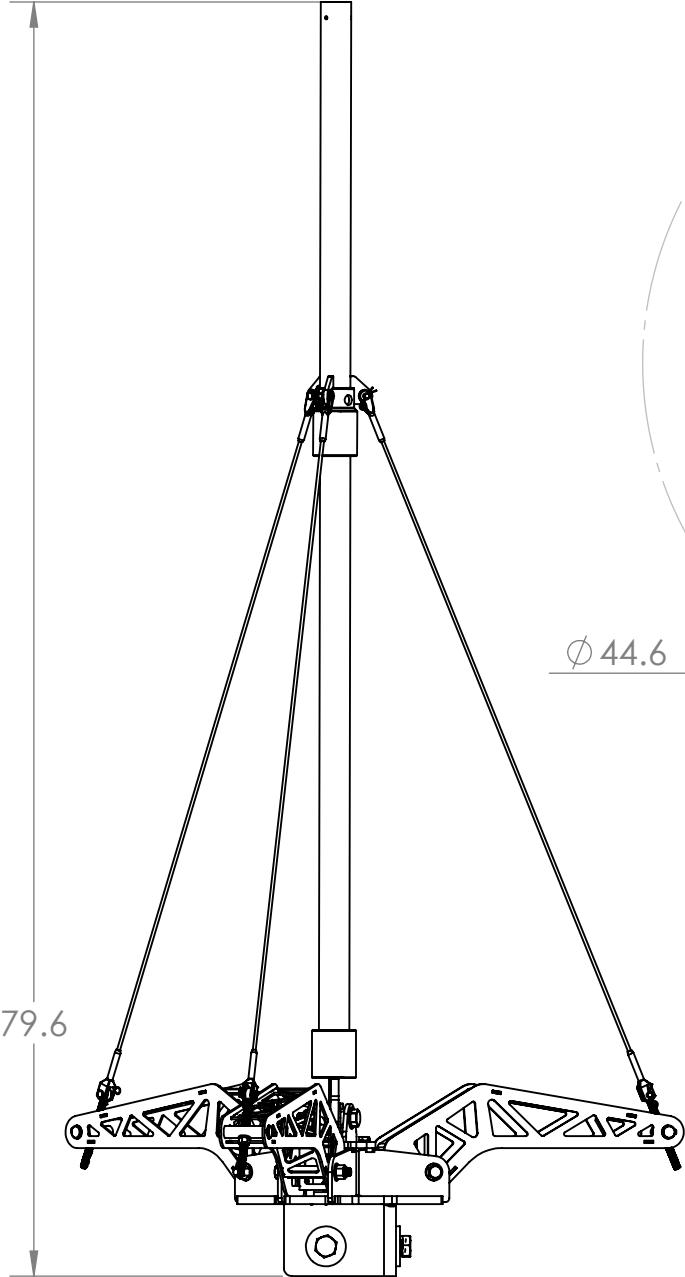
TURBINE MOUNTS ARE UNIVERSAL AND CAN BE ATTACHED TO ANY OF THE FOUR TOP CONTAINER CORNERS.

ADDITIONAL ATTACHMENTS SUCH AS LADDERS, CRANES, HANDRAILS, ETC MAY REQUIRE REMOVAL OF TURBINE MOUNT.

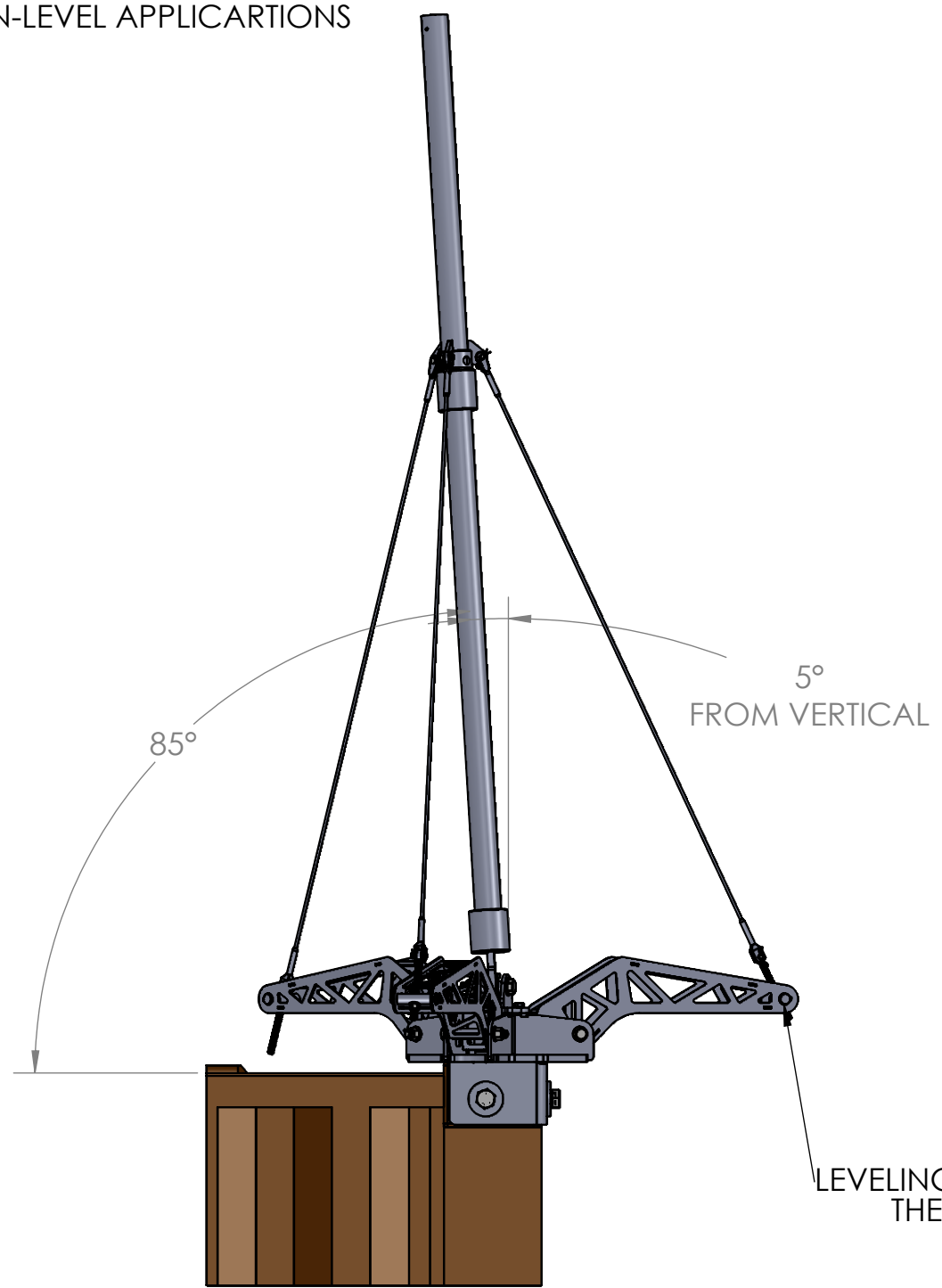


CONTAINER TURBINE MOUNT SPECIFICATIONS

OVERALL HEIGHT	79.6"
LEG RADIUS	44.6"
WEIGHT	75 LB
MATERIAL	GALVANIZED STEEL
INSTALLATION TIME	20 MINUTES
MAX ALLOWABLE THRUST	300 LBF



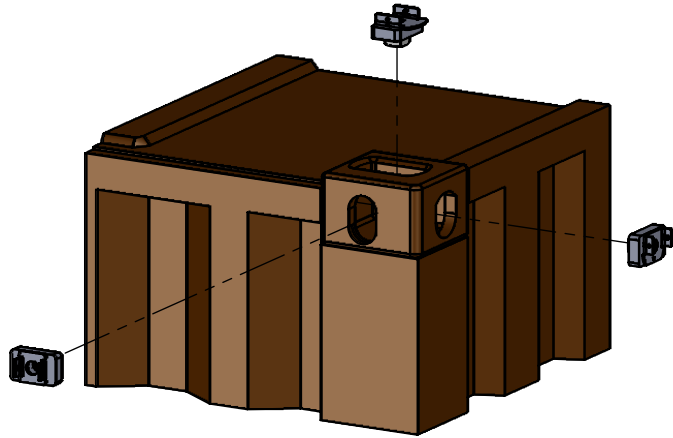
MAXIMUM TILT
FOR NON-LEVEL APPLICATIONS



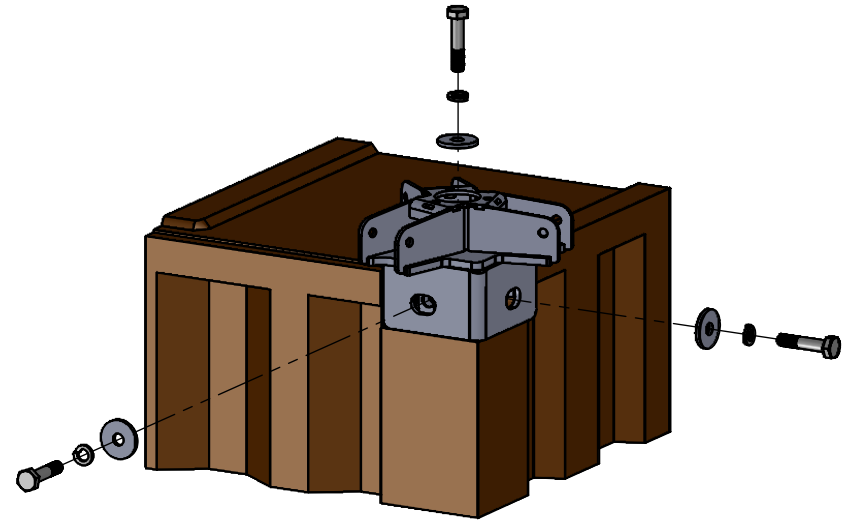
5°
FROM VERTICAL

LEVELING THE MAST IS ACHIEVED BY ADJUSTING
THE GUY CABLES AT THE LEG MOUNTS

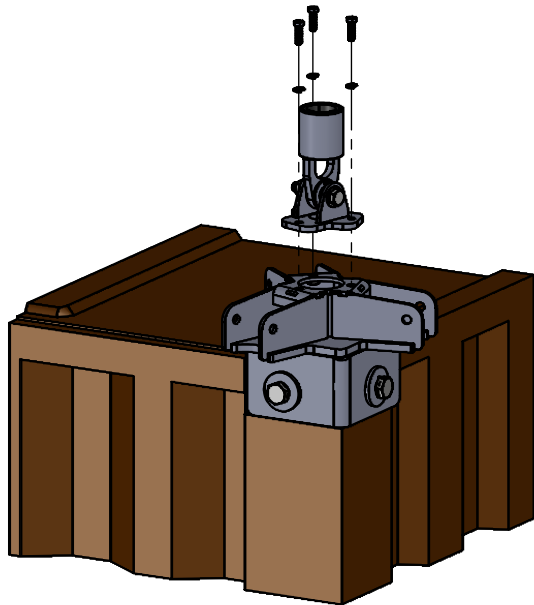
INSTALLATION PROCEDURE
OVERVIEW



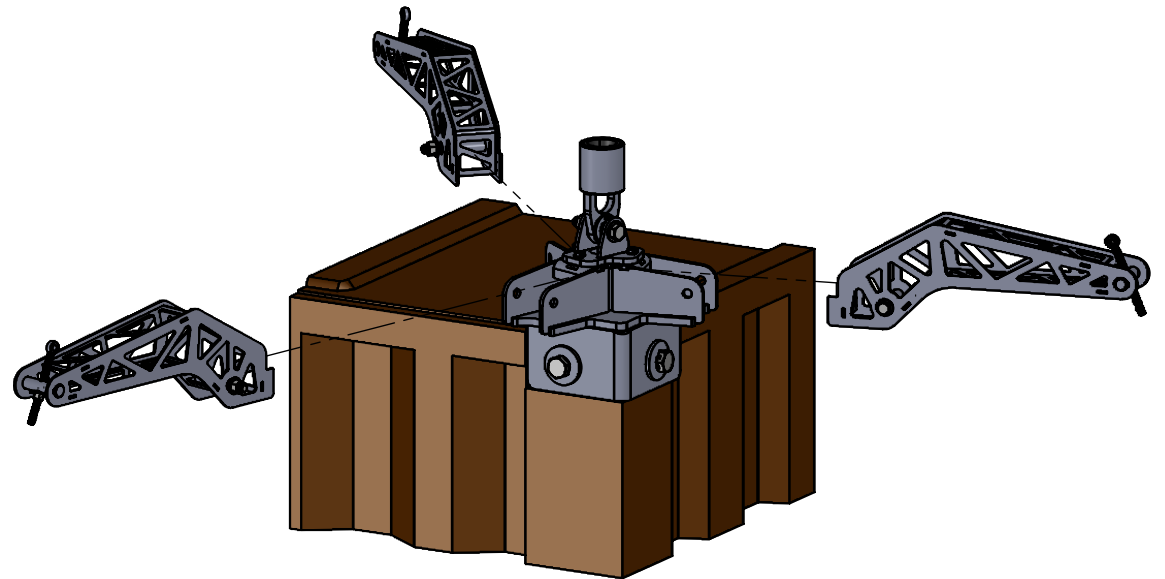
(1) INSTALL NUTS



(2) ATTACH MAIN BASE

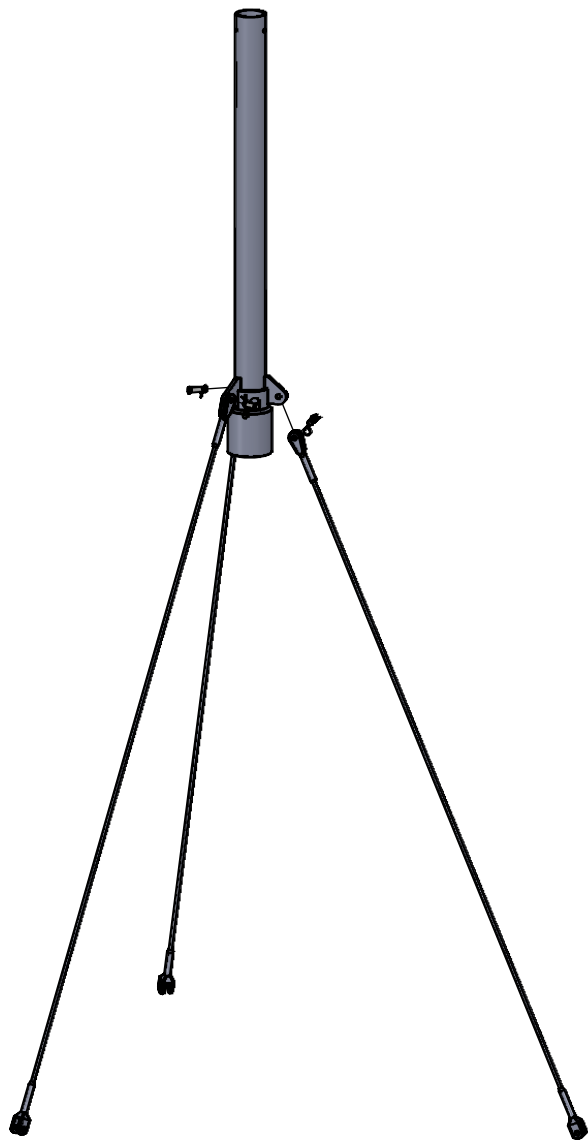


(2) ATTACH MAST PIVOT

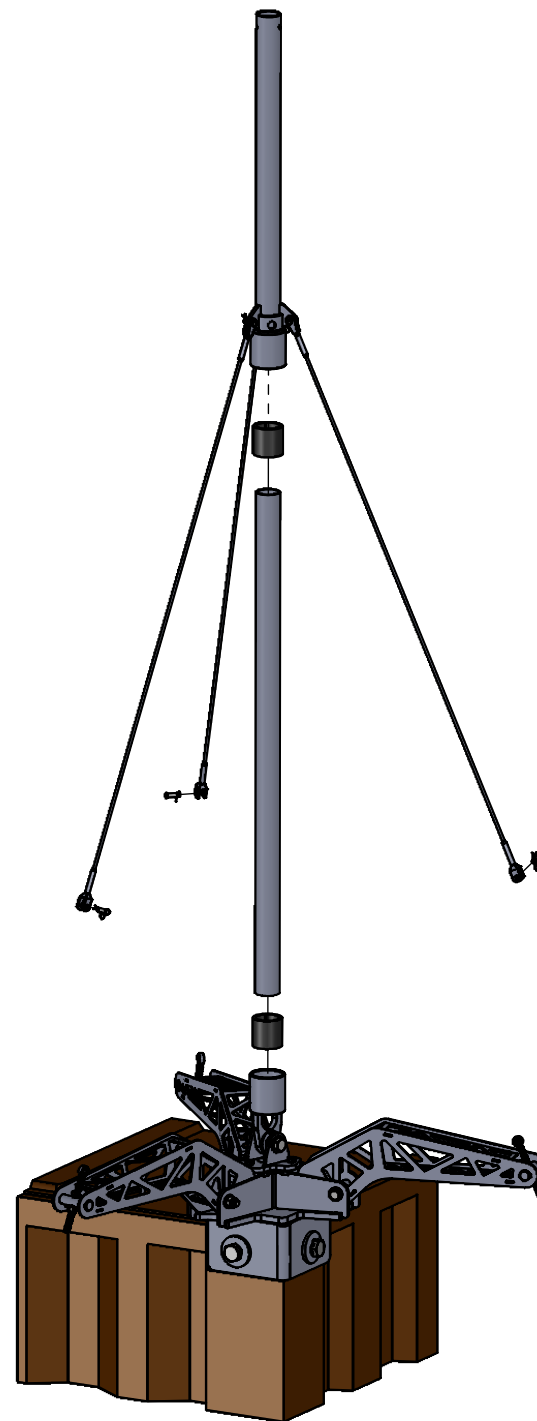


(2) INSTALL LEGS

INSTALLATION PROCEDURE OVERVIEW

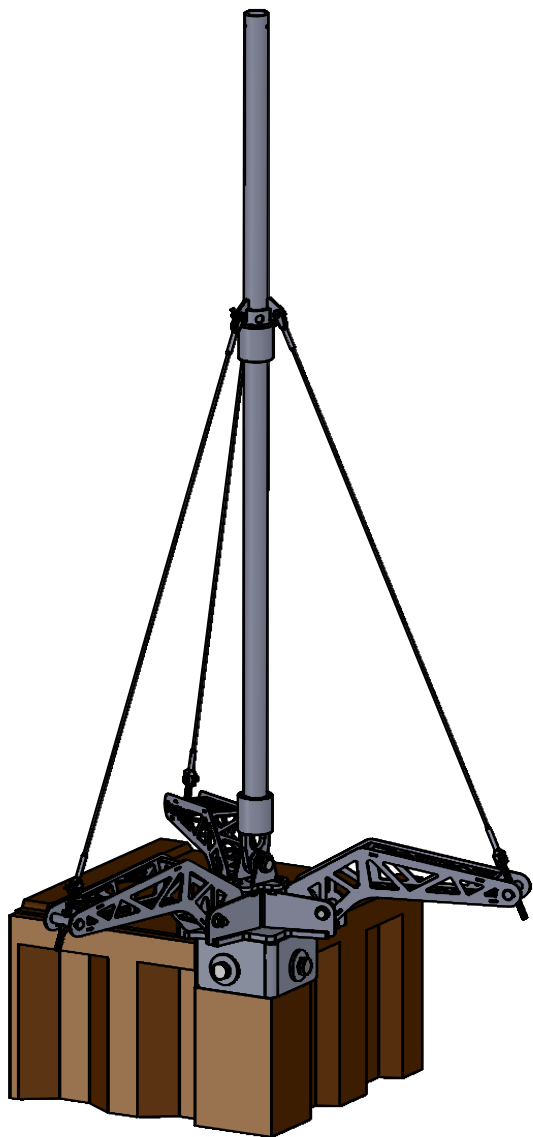


(5) ATTACH GUY CABLES TO MAST TOP

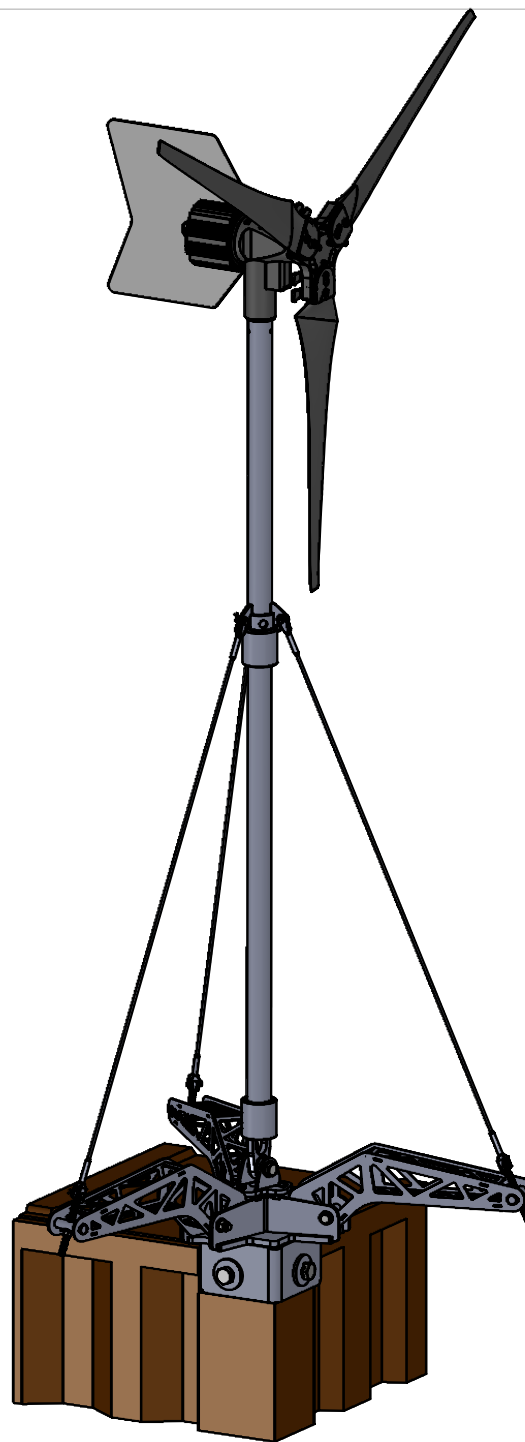


(6) INSTALL MAST TOP AND MAST ONTO MAIN BASE

INSTALLATION PROCEDURE
OVERVIEW



(7) LEVEL MAST AND SLIGHTLY TENSION GUY CABLES



(8) INSTALL TURBINE