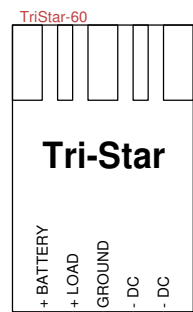
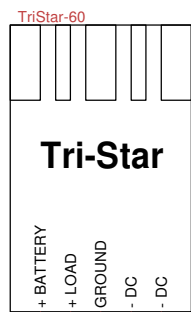


**24V 1.8kW Dump Load**  
Using 3 x APRS8420 12V / 24V 600 watt modules

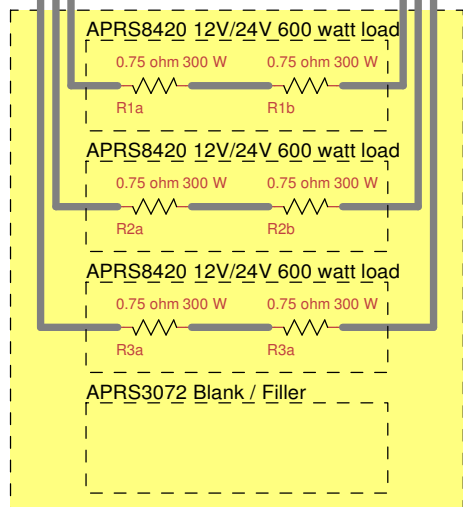


**24V 1.8kW Dump Load**  
Using 3 x APRS8421 48V 600 watt modules

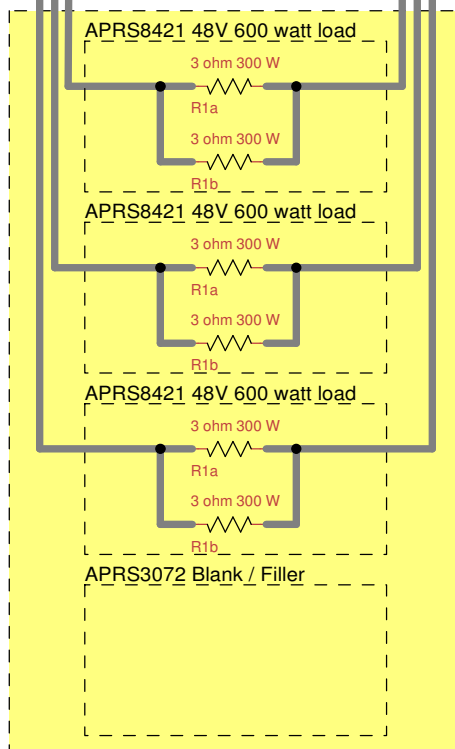


All Wiring:  
10 or 12 AWG UL Style 3212 wire  
150 degree C rated  
APRS4323 High Temperature #10 ring terminals

All Wiring:  
10 or 12 AWG UL Style 3212 wire  
150 degree C rated  
APRS4323 High Temperature #10 ring terminals



APRS8426 Quad Dump Load Chassis



APRS8426 Quad Dump Load Chassis

Title 24V 1.8 kW Dump Load using 600W Dump Load Modules		
Author James Jarvis APRS World, LLC		
File s\dumpLoad\dumpLoad_1800watts_24volts.dsn	Document	
Revision 1.0	Date 2015-07-12	Sheets 1 of 1