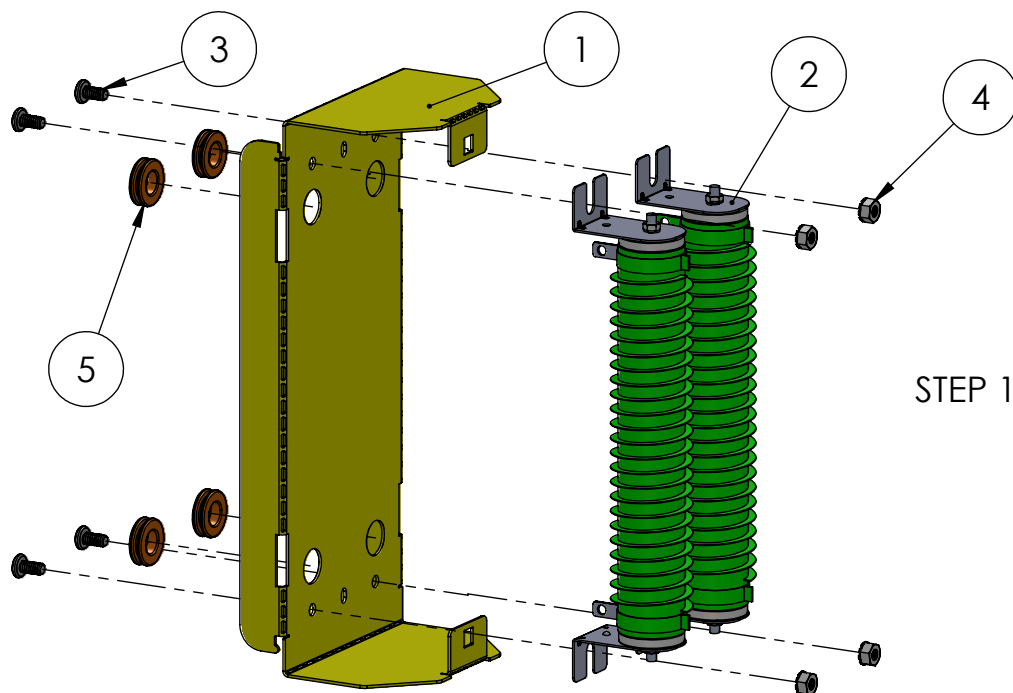
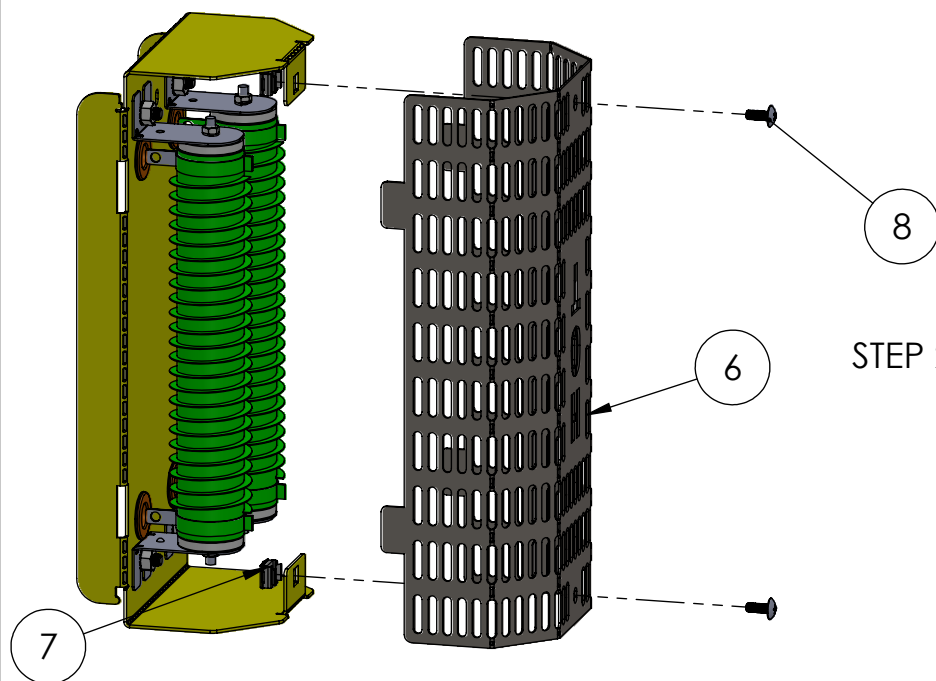


DUMP LOAD MODULE ASSEMBLY

ITEM NO.	PART NUMBER	DESCRIPTION	QTY.
1	APRS3069	RESISTOR PANEL	1
2	RESISTOR	RESISTOR	2
3	APRS3018	SCREW, 1/4"-20x1/2"	4
4	APRS3014	KL NUT, 1/4"-20	4
5	APRS3074	GROMMET, 1"OD, 1/2"ID	4
6	APRS3068	COVER	1
7	APRS3075	CLIP ON NUT, #10-32	2
8	APRS3083	TRUSS SCREW, #10-32x1/2"	2



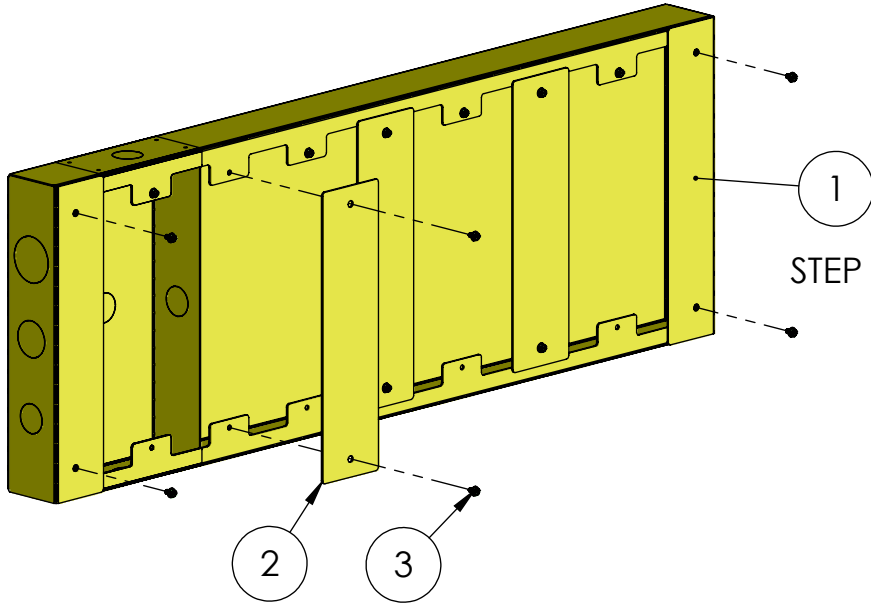
STEP 1: INSTALL GROMMETS AND RESISTORS
(TURN RESISTOR TERMINALS DOWN)



STEP 2: INSTALL CLIP NUTS AND COVER
(COVER WILL BE REMOVED FOR FINAL INSTALLATION)

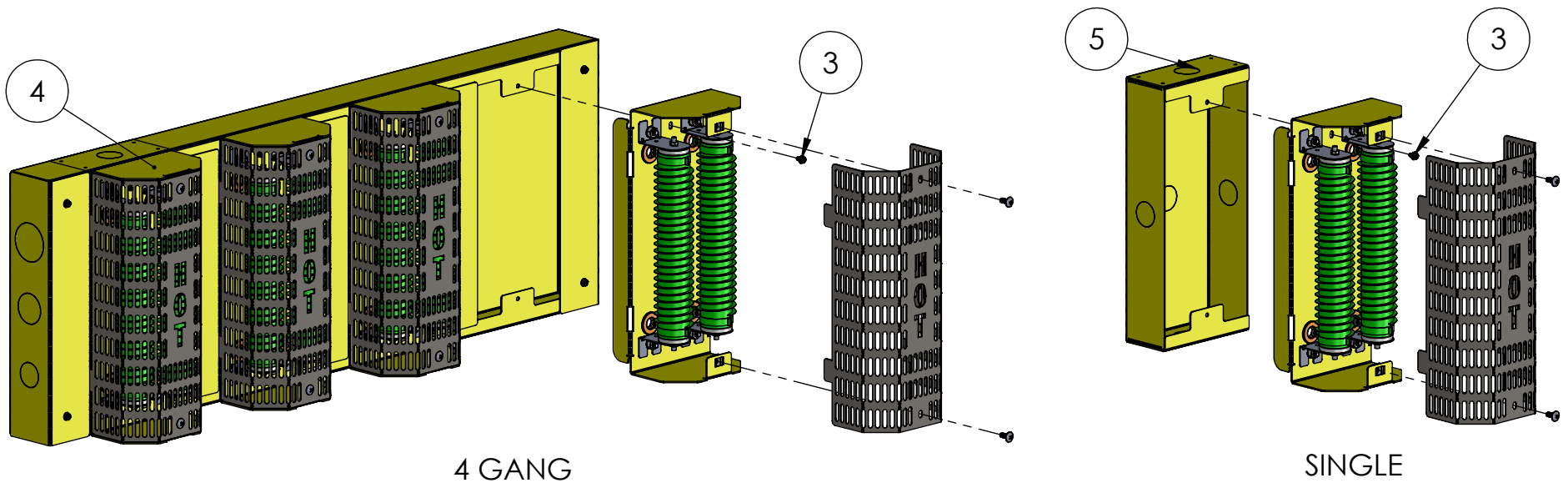
DUMP LOAD ASSEMBLY - 4 GANG

ITEM NO.	PART NUMBER	DESCRIPTION	QTY.
1	APRS3071	4 GANG CHANNEL	1
2	APRS3072	FILLER PLATE	3
3	APRS2787	THREADCUTTING SCREW	14
4	APRS3069	DUMP LOAD MODULE	4
5	APRS3070	SINGLE MOUNT BOX	1



STEP 1: ASSEMBLE CHANNEL AND FILLER PLATES

STEP 2: INSTALL DUMP LOAD MODULE(S)



4 GANG

SINGLE