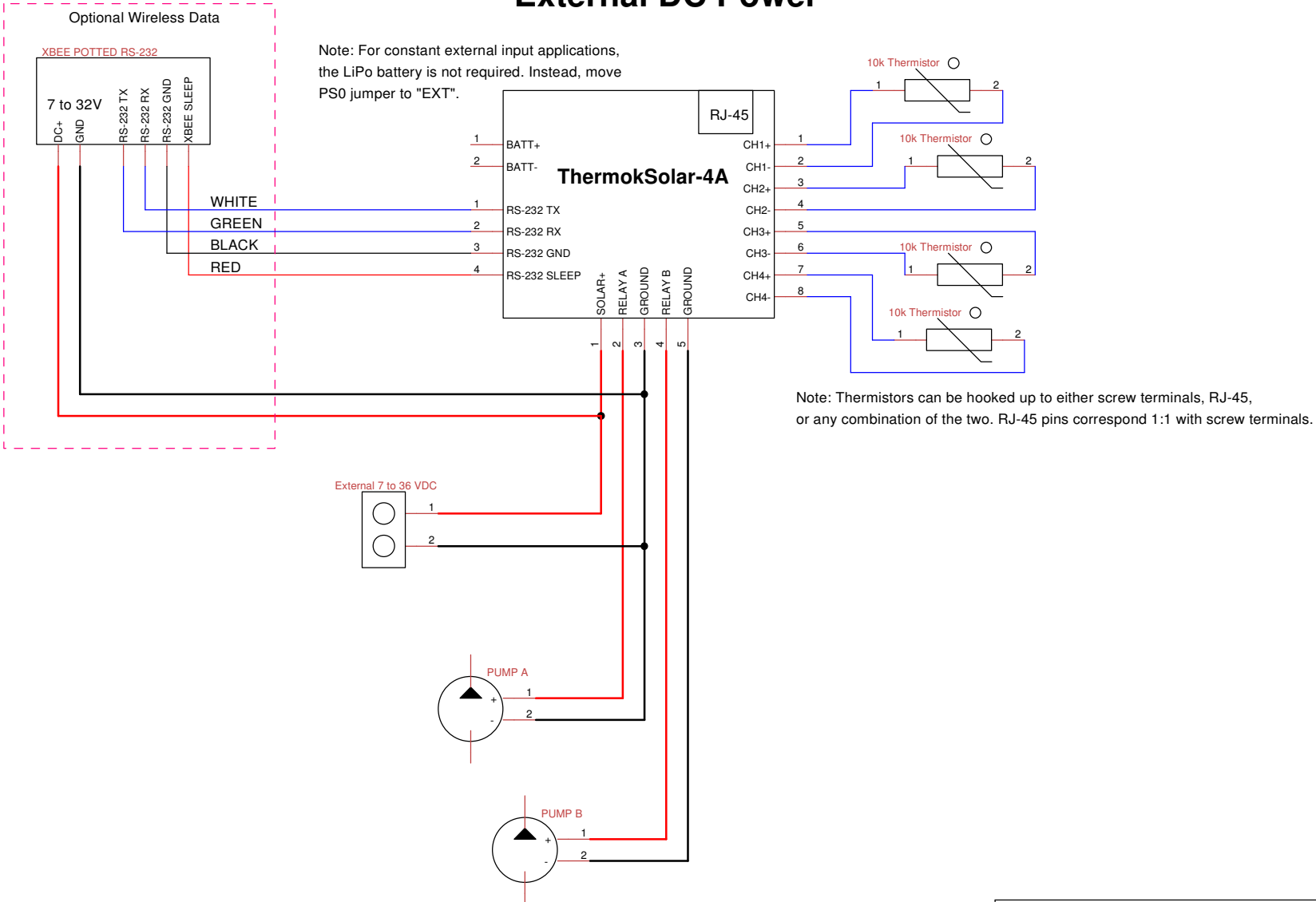


External DC Power

Note: For constant external input applications, the LiPo battery is not required. Instead, move PS0 jumper to "EXT".



Note: Thermistors can be hooked up to either screw terminals, RJ-45, or any combination of the two. RJ-45 pins correspond 1:1 with screw terminals.

Title ThermokSolar Hookup		
Author James Jarvis APRS World, LLC		
File jects\thermokSolar\thermokSolar_dc_hookup.dsn	Document	
Revision 1.0	Date 2009-12-09	Sheets 1 of 1