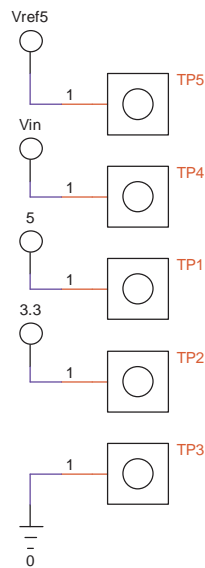
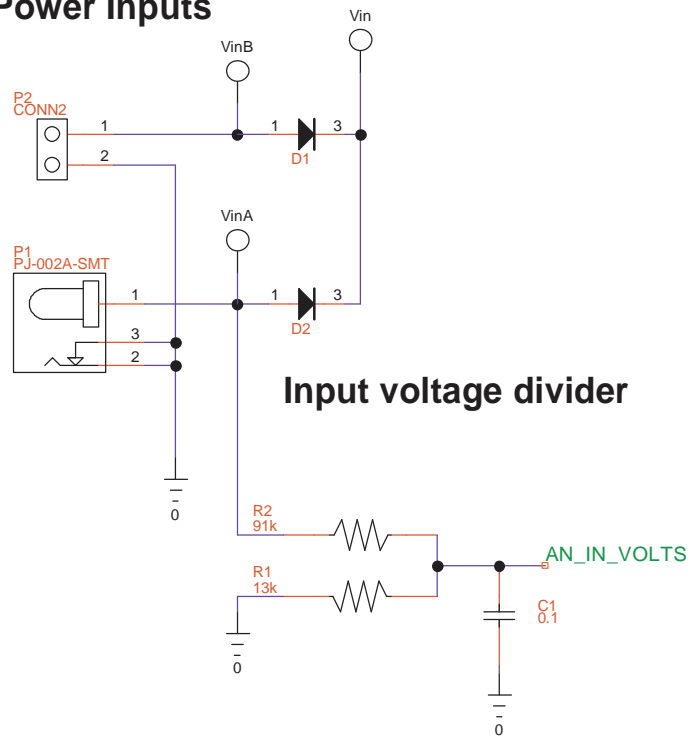
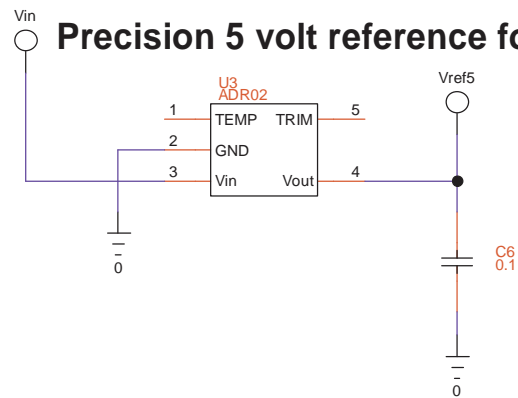


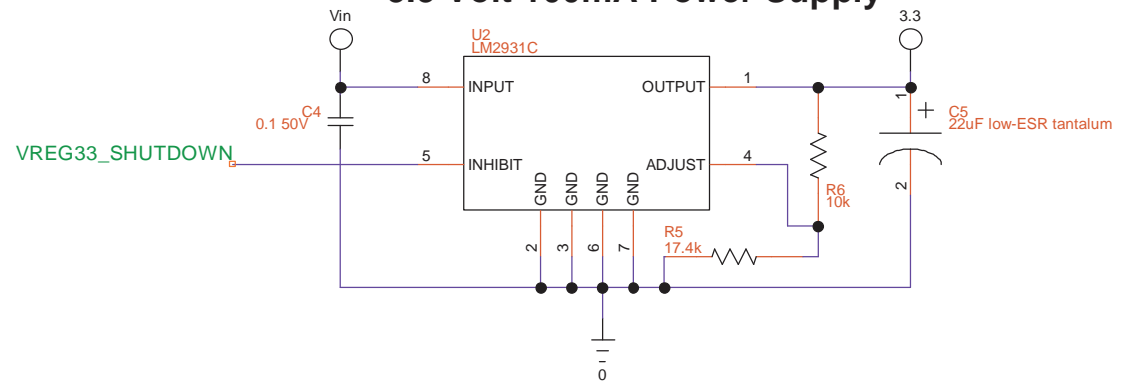
Power Inputs



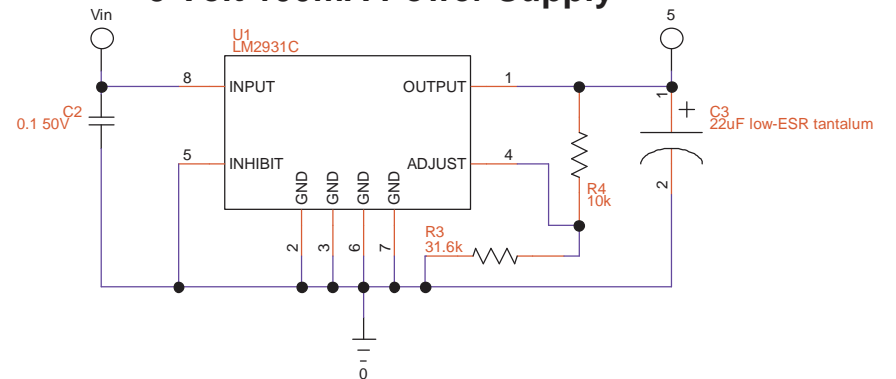
Precision 5 volt reference for ADC



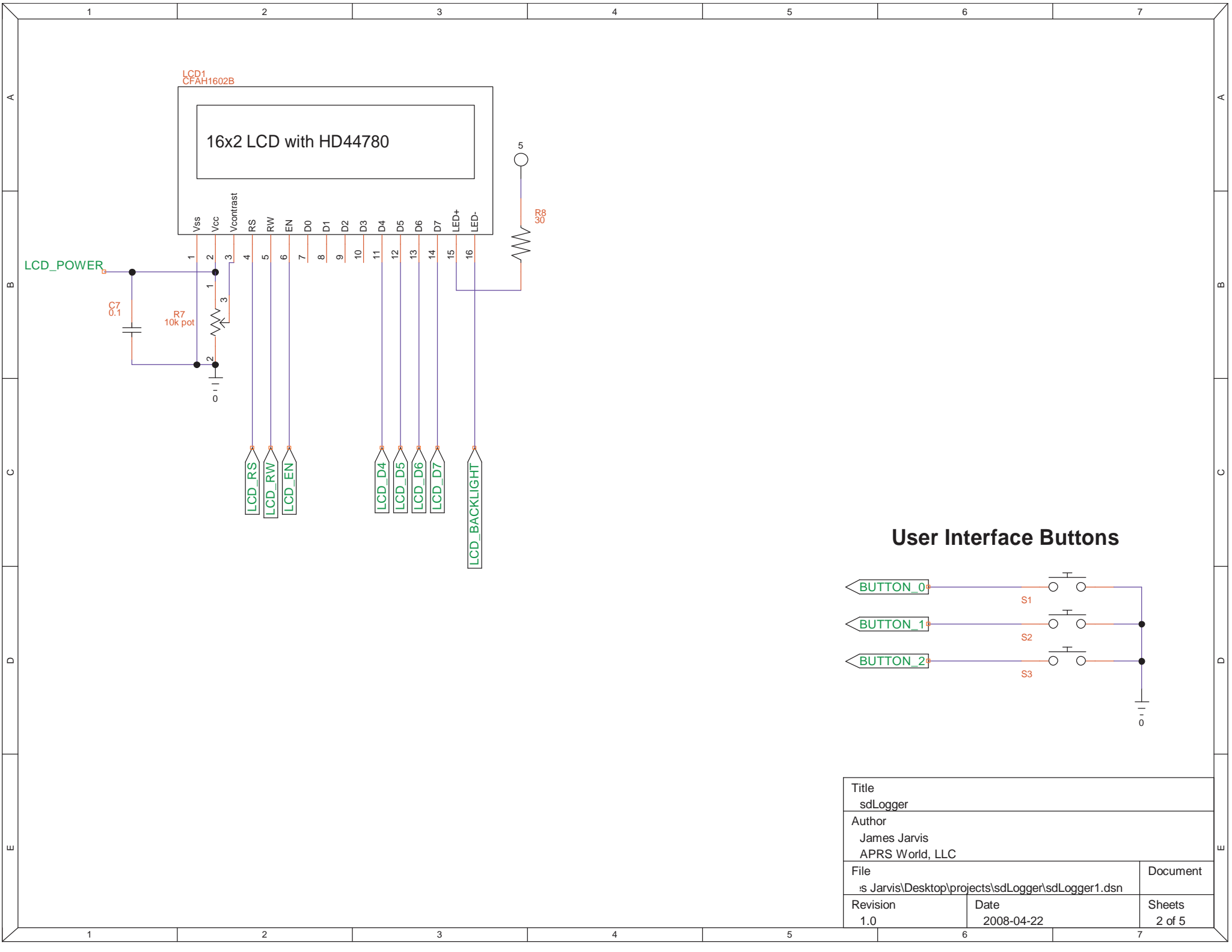
3.3 Volt 100mA Power Supply



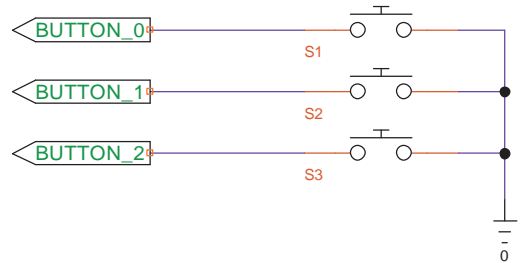
5 Volt 100mA Power Supply



Title sdLogger		
Author James Jarvis APRS World, LLC		
File s:Jarvis\Desktop\projects\sdLogger\sdLogger1.dsn	Document	
Revision 1.0	Date 2008-04-22	Sheets 1 of 5

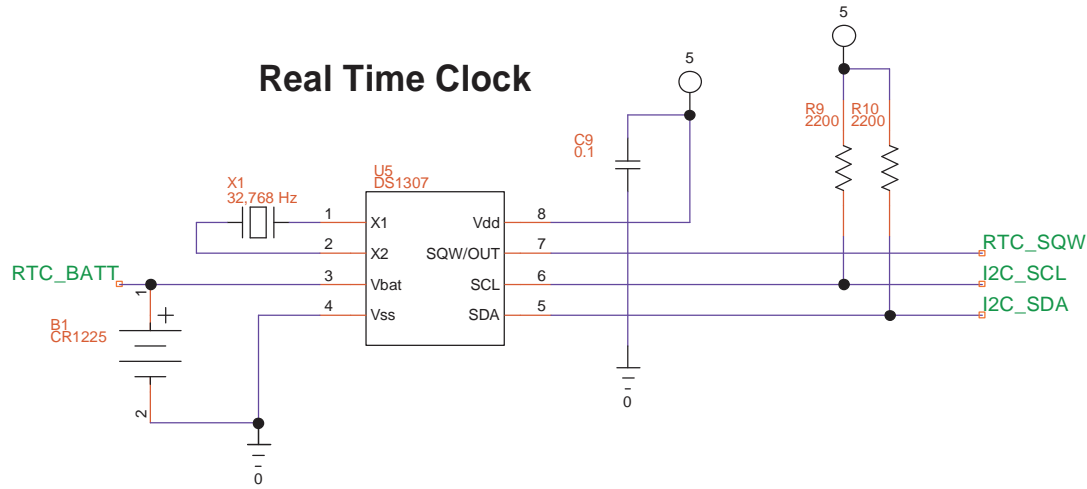


User Interface Buttons

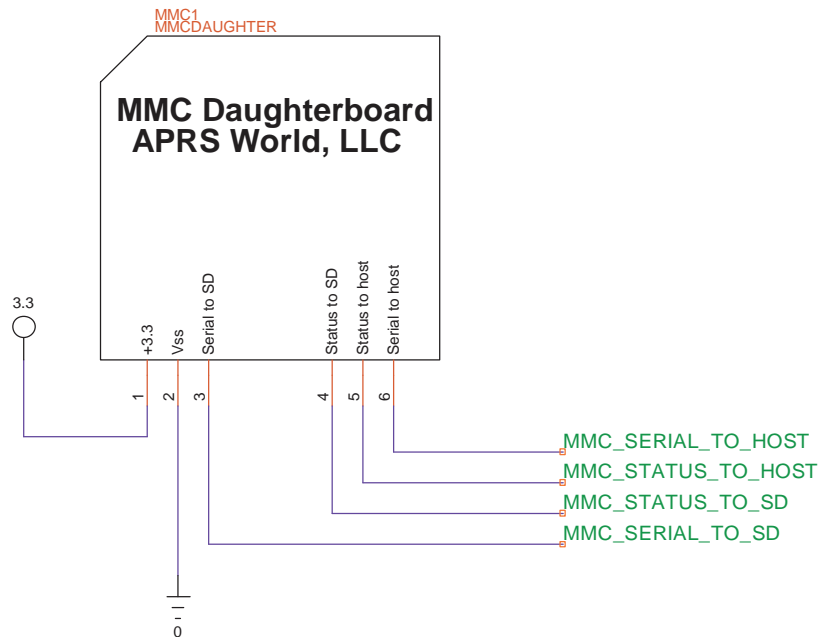


Title sdLogger		
Author James Jarvis APRS World, LLC		
File s Jarvis\Desktop\projects\sdLogger\sdLogger1.dsn		Document
Revision 1.0	Date 2008-04-22	Sheets 2 of 5

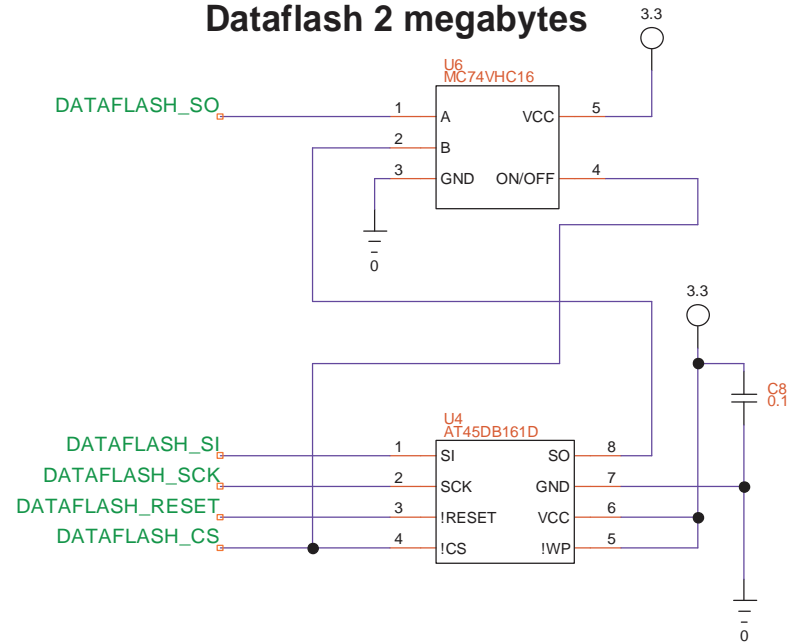
Real Time Clock



Secure Digital

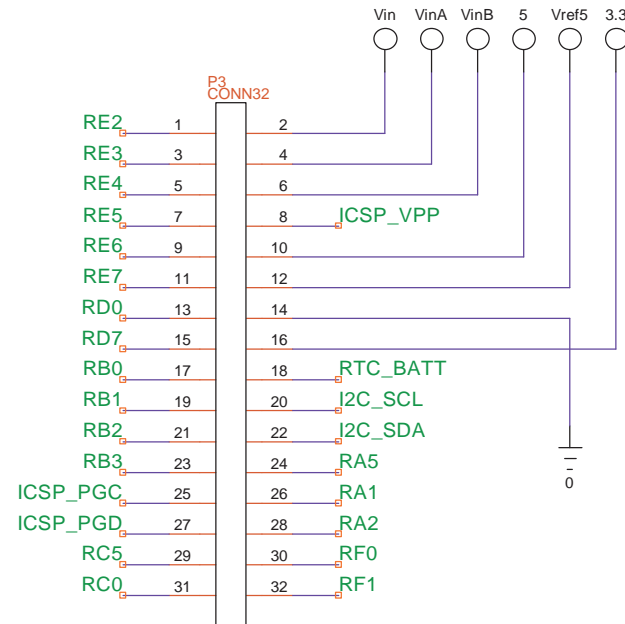
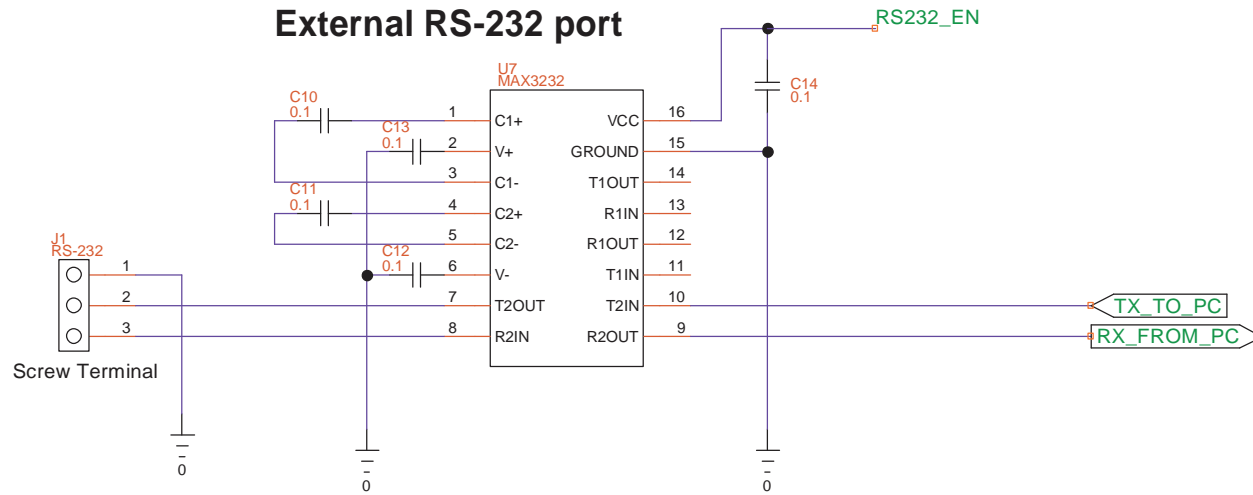


Dataflash 2 megabytes

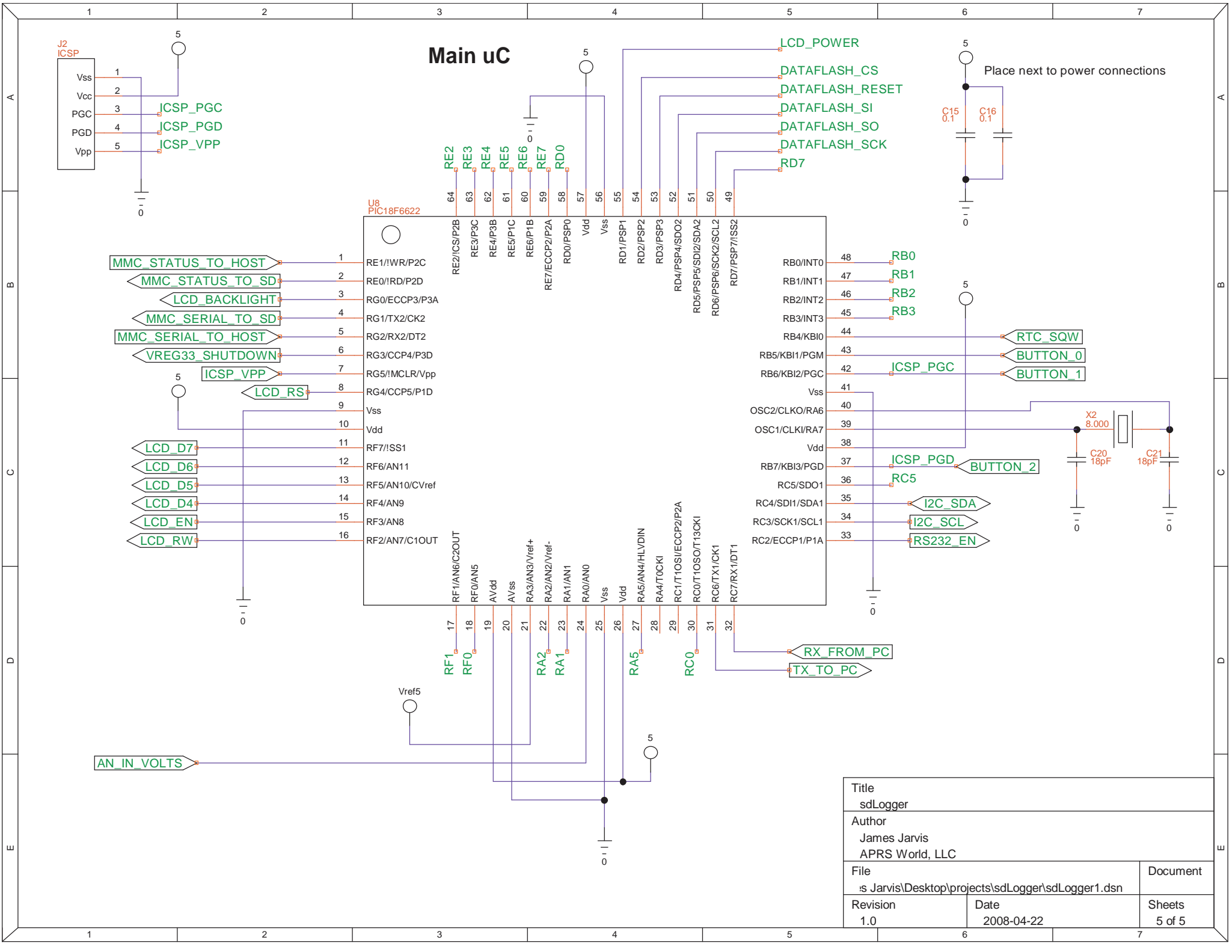


Title sdLogger		
Author James Jarvis APRS World, LLC		
File s:\Jarvis\Desktop\projects\sdLogger\sdLogger1.dsn	Document	
Revision 1.0	Date 2008-04-22	Sheets 3 of 5

External RS-232 port



Title sdLogger		
Author James Jarvis APRS World, LLC		
File s:\Jarvis\Desktop\projects\sdLogger\sdLogger1.dsn	Document	
Revision 1.0	Date 2008-04-22	Sheets 4 of 5



Title sdLogger		
Author James Jarvis APRS World, LLC		
File s Jarvis\Desktop\projects\sdLogger\sdLogger1.dsn	Document	
Revision 1.0	Date 2008-04-22	Sheets 5 of 5