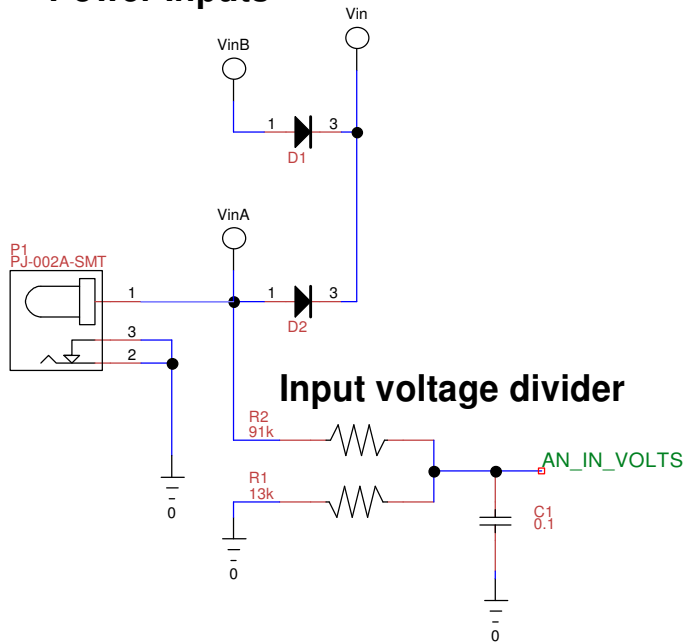
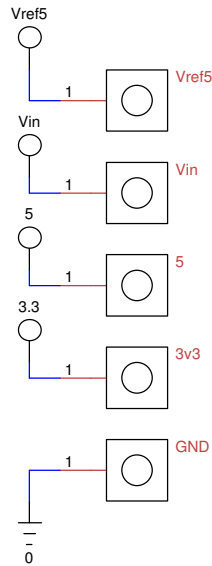


## Power Inputs

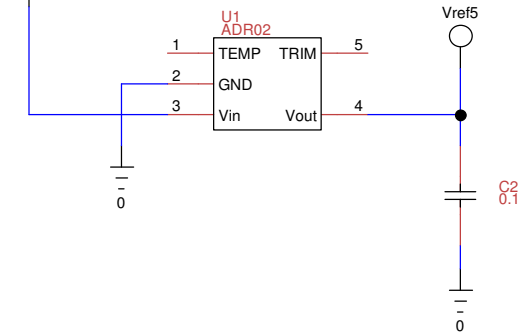


## Input voltage divider

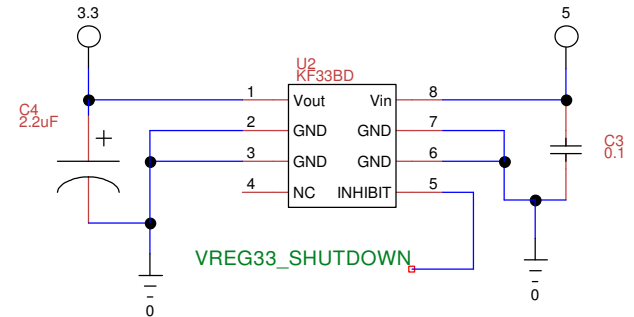
## Voltage Test Points



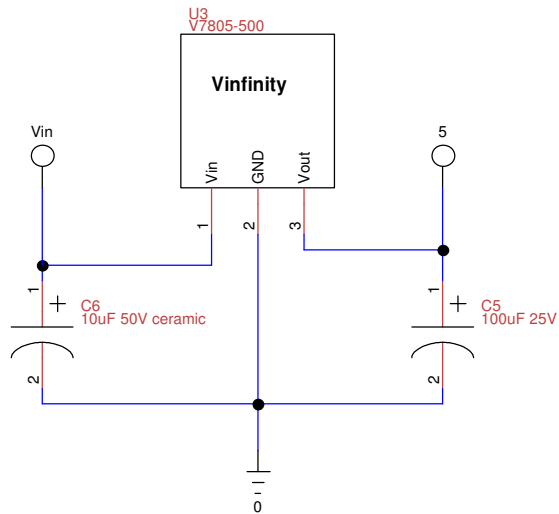
## Precision 5 volt reference for ADC



## 3.3 Volt 500mA Power Supply

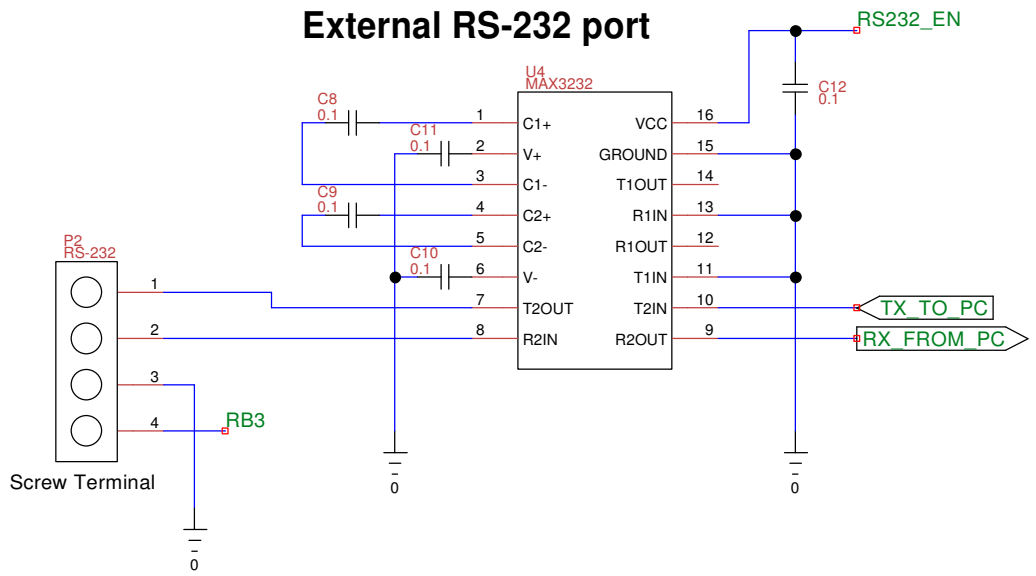


## 5 Volt 500mA Switching Power Supply

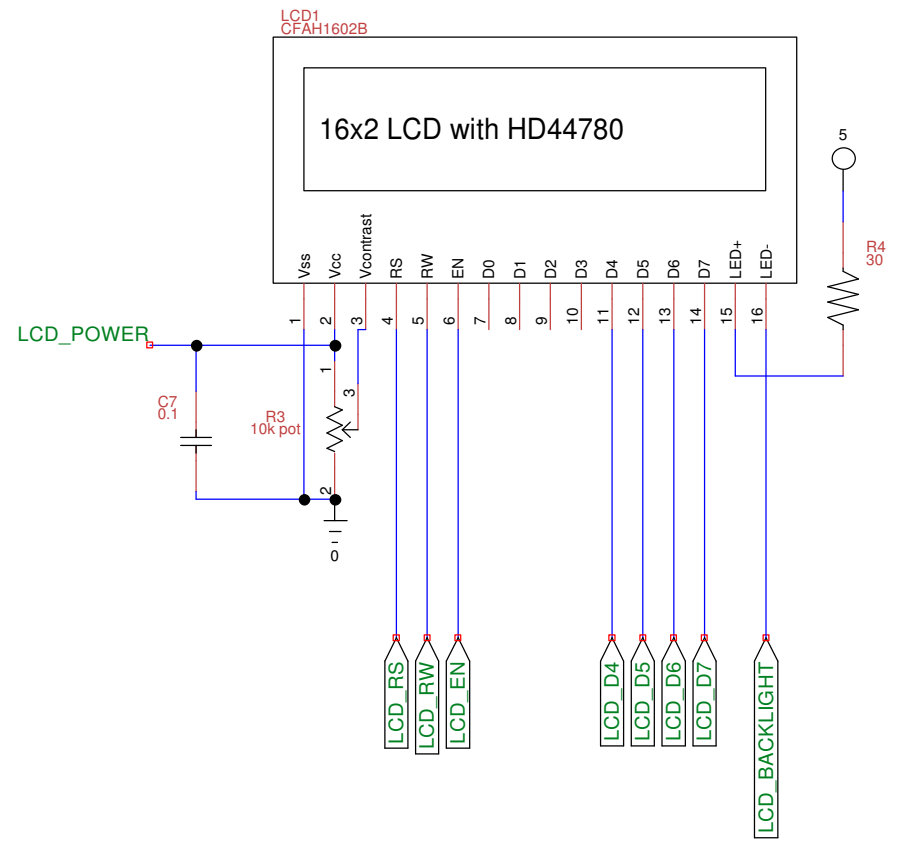
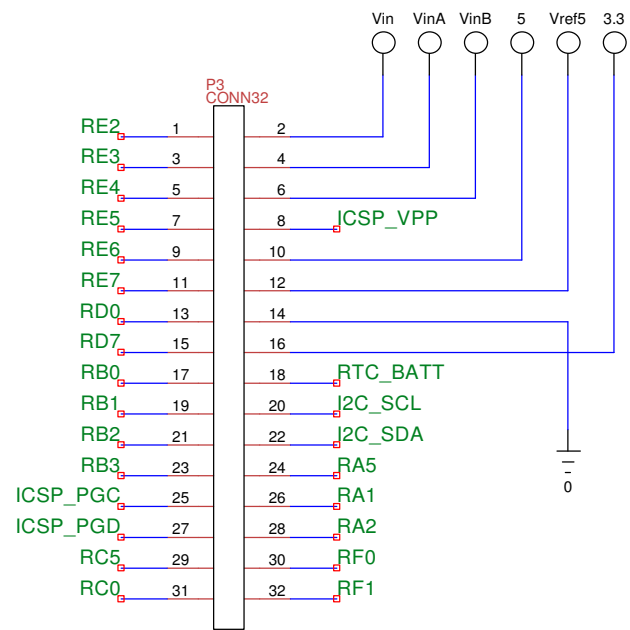


Title sdLogger		
Author James Jarvis APRS World, LLC		
File Jarvis\Desktop\projects\sdLogger\sdLogger2.dsn		Document
Revision 2.0	Date 2009-06-17	Sheets 1 of 4

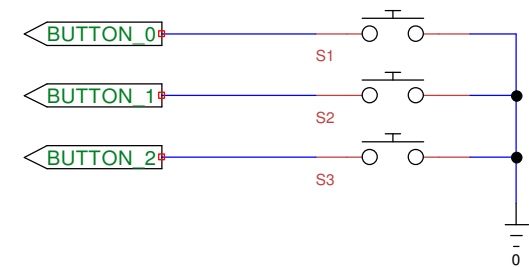
### External RS-232 port



### Bus to Application Specific Board

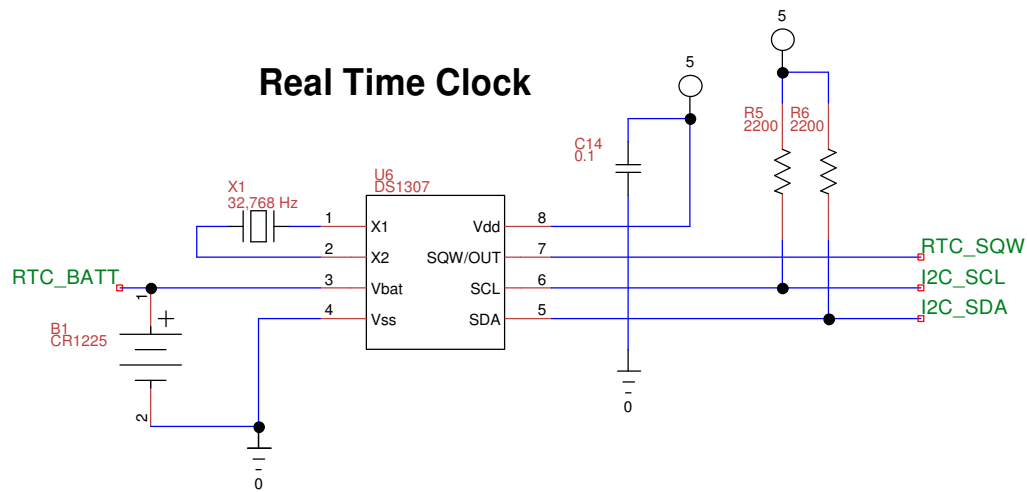


### User Interface Buttons



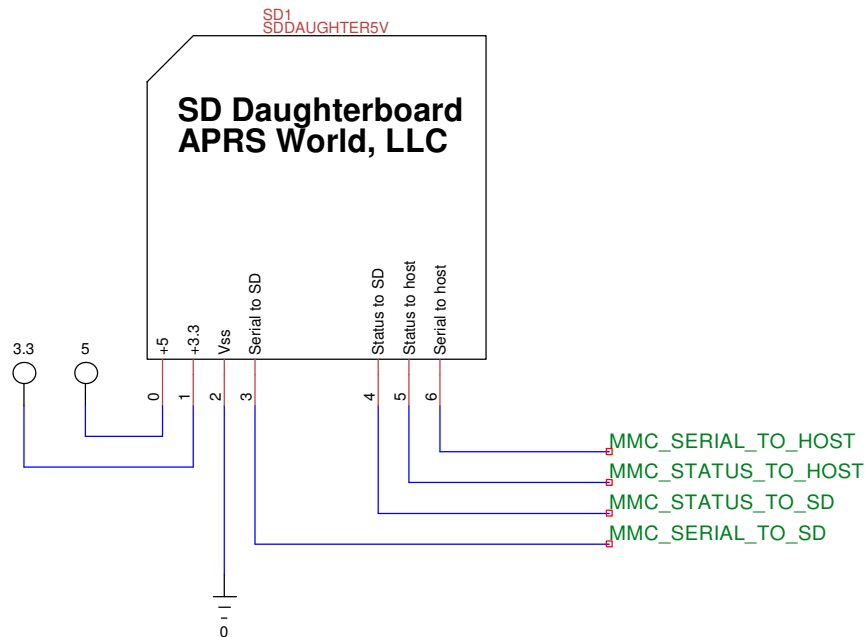
Title sdLogger		
Author James Jarvis APRS World, LLC		
File Jarvis\Desktop\projects\sdLogger\sdLogger2.dsn		Document
Revision 2.0	Date 2009-06-17	Sheets 2 of 4

## Real Time Clock

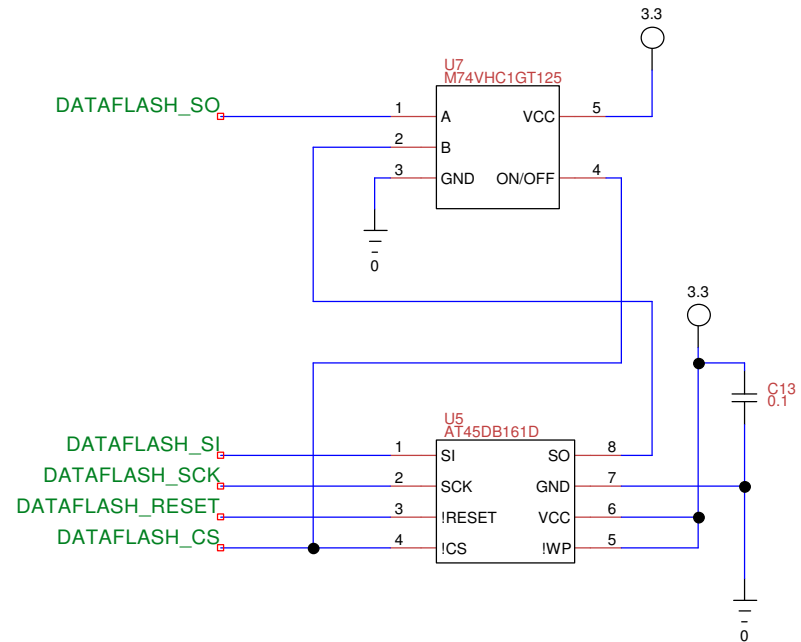


## Secure Digital

Locate 3.3 volt power supply as close as possible!



## Dataflash 2 megabytes (optional)



Title sdLogger		
Author James Jarvis APRS World, LLC		
File J:\Jarvis\Desktop\projects\sdLogger\sdLogger2.dsn		Document
Revision 2.0	Date 2009-06-17	Sheets 3 of 4

