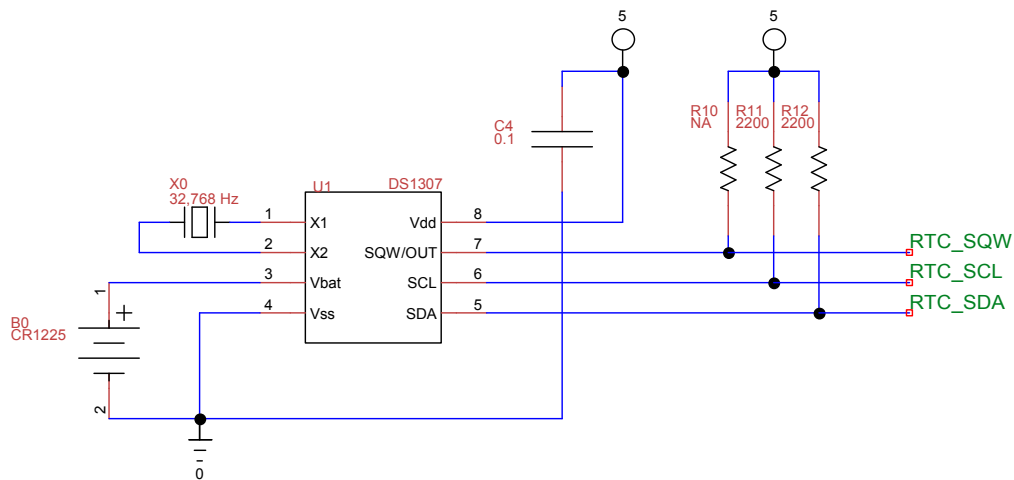
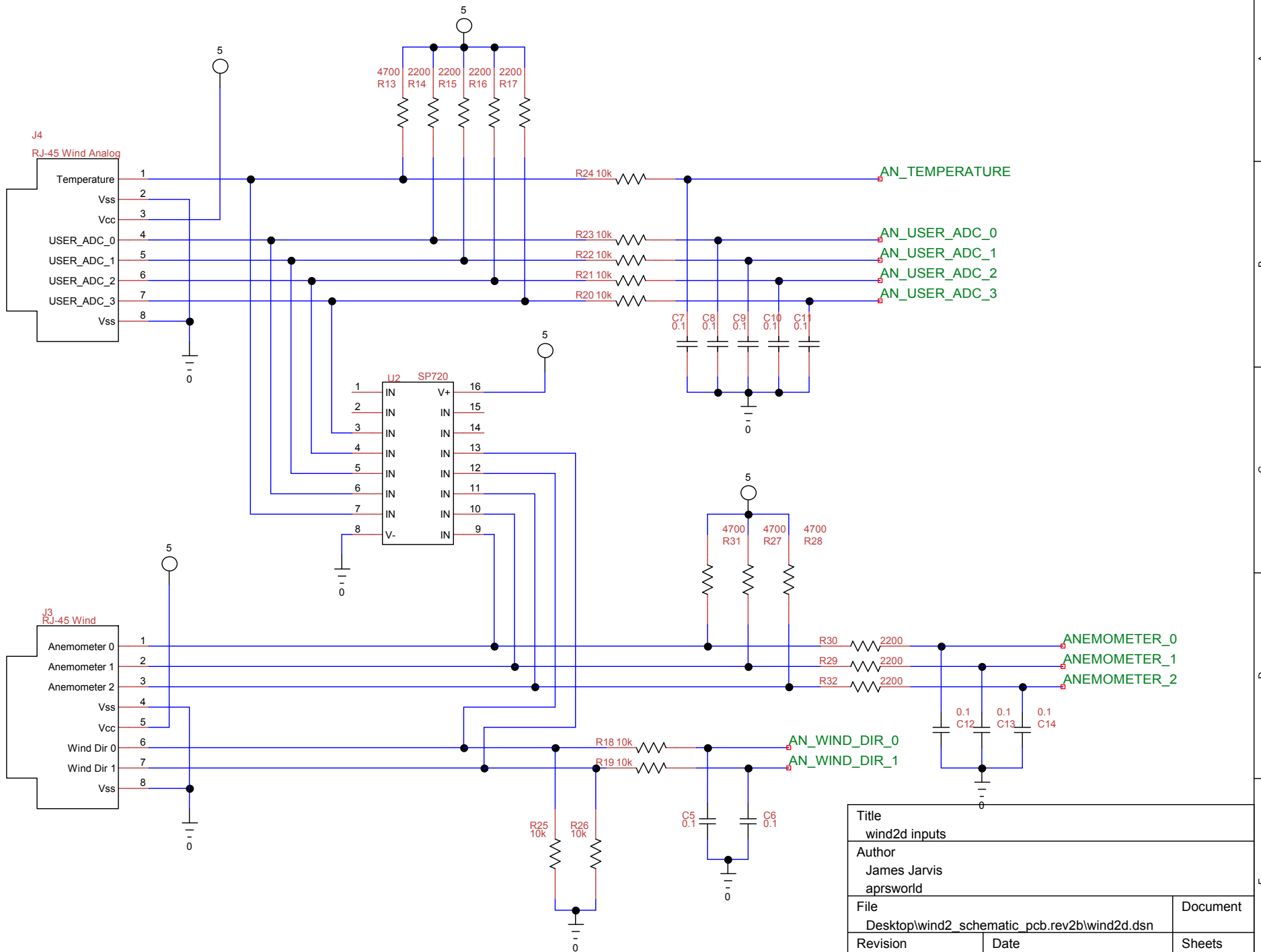


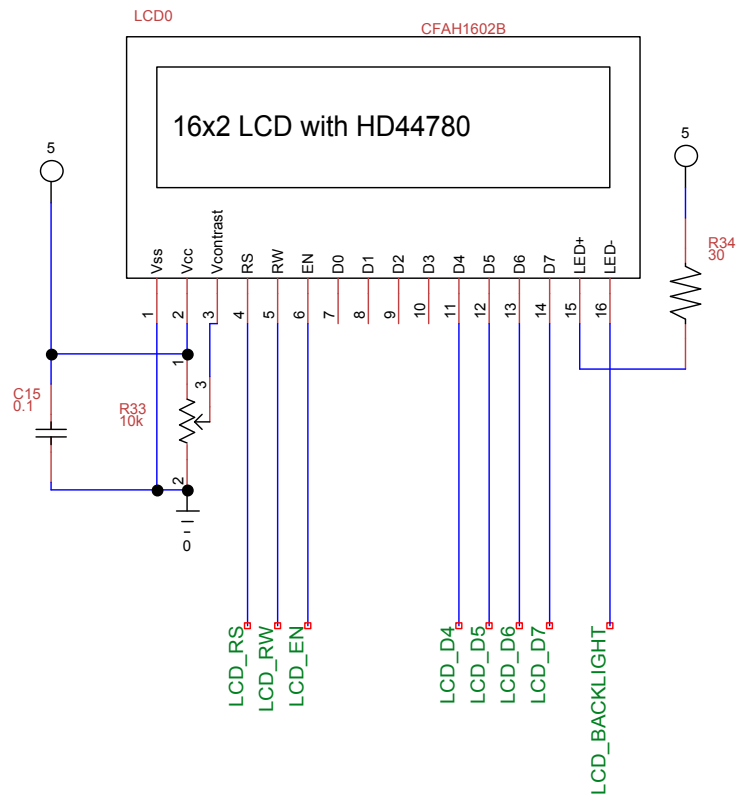
Title wind2d		
Author James Jarvis aprsworld		
File Desktop\wind2_schematic_pcb.rev2b\wind2d.dsn	Document	
Revision rev2d	Date 24 October 2005	Sheets 1 of 5



Title wind2d RTC		
Author James Jarvis aprsworld		
File Desktop\wind2_schematic_pcb.rev2b\wind2d.dsn		Document
Revision rev2d	Date 24 October 2005	Sheets 2 of 5

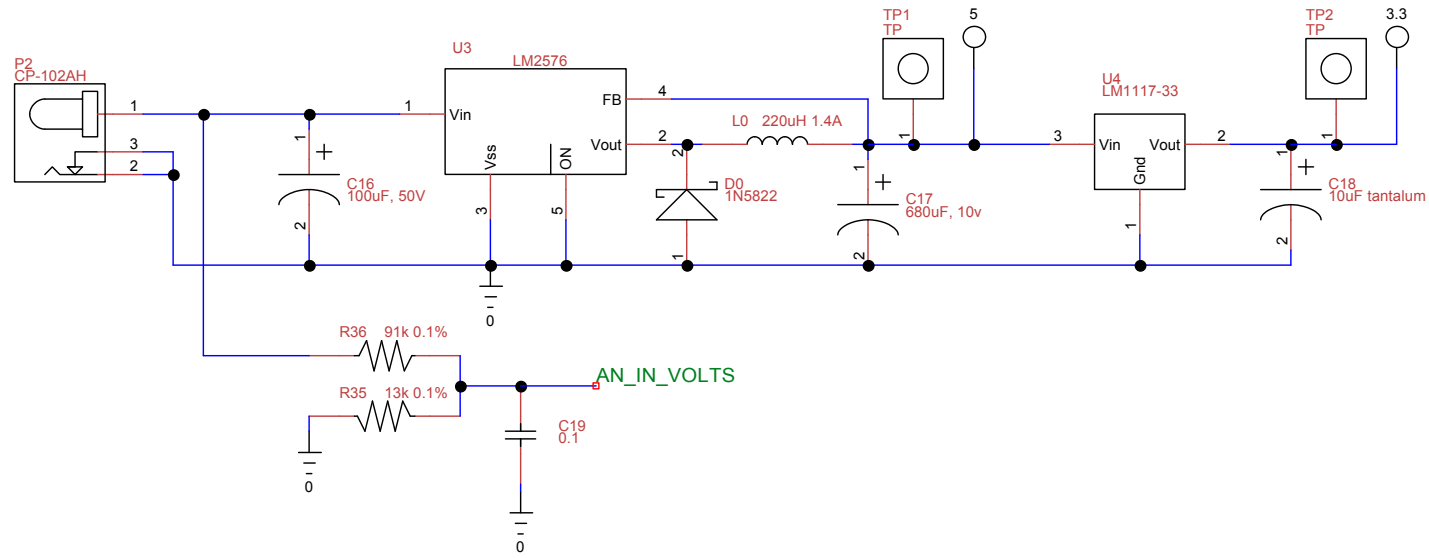


Title wind2d inputs		
Author James Jarvis aprsworld		
File Desktop/wind2_schematic_pcb.rev2b/wind2d.dsn		Document
Revision rev2d	Date 24 October 2005	Sheets 3 of 5



Title wind2d LCD		
Author James Jarvis aprsworld		
File Desktop\wind2_schematic_pcb.rev2b\wind2d.dsn		Document
Revision rev2d	Date 24 October 2005	Sheets 4 of 5

Switching Power Supply



Title wind2d power supply		
Author James Jarvis aprsworld		
File Desktop\wind2_schematic_pcb.rev2b\wind2d.dsn	Document	
Revision rev2d	Date 24 October 2004	Sheets 5 of 5