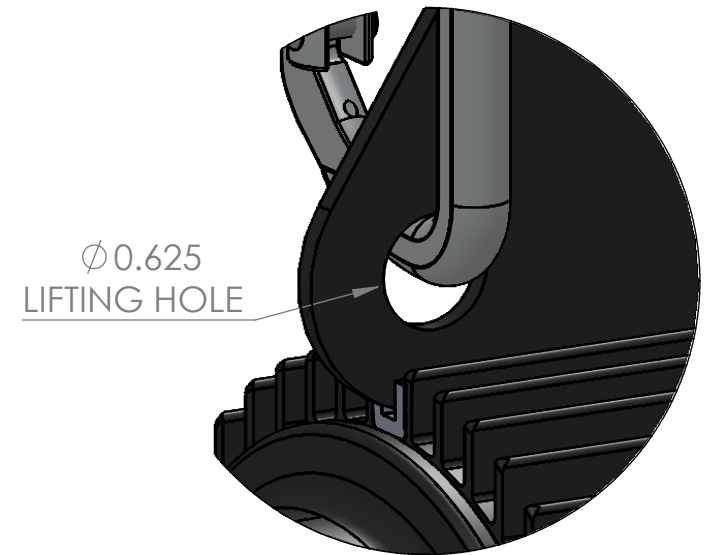
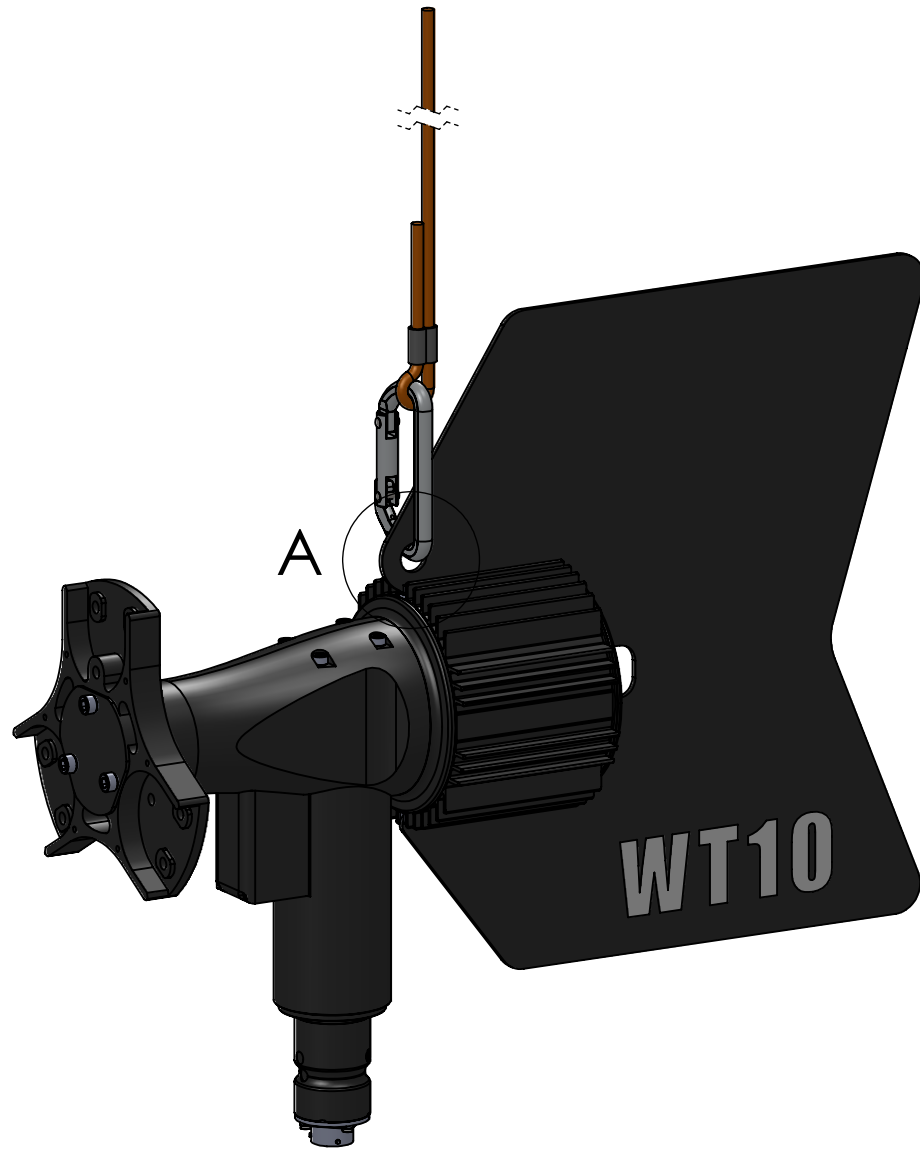


WT10 LIFTING



DETAIL A
SCALE 1 : 1

USE SUITABLE CARABINER OR SIMILAR FOR LIFTING TURBINE