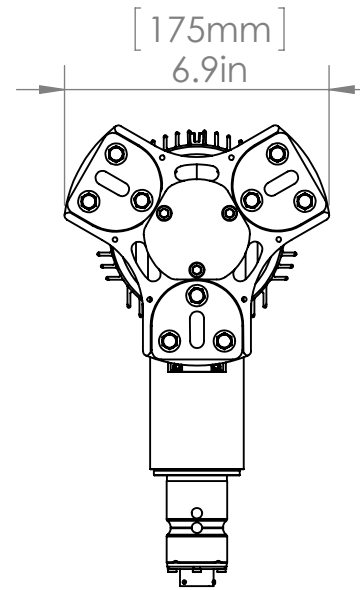
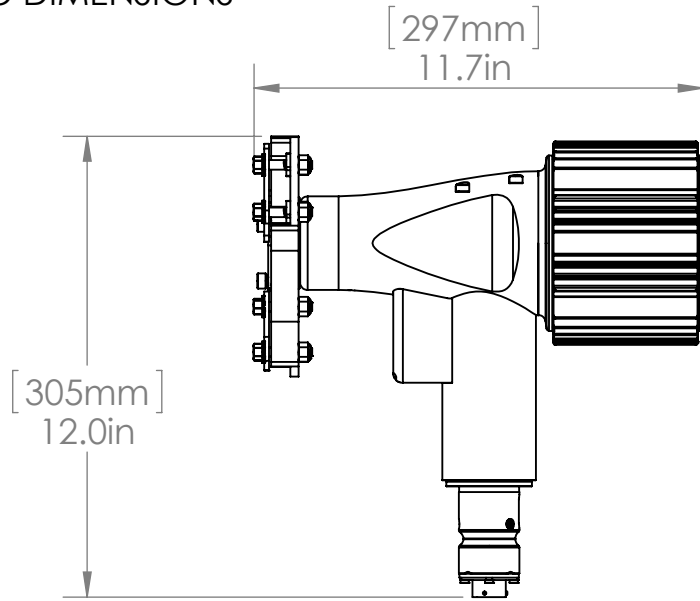
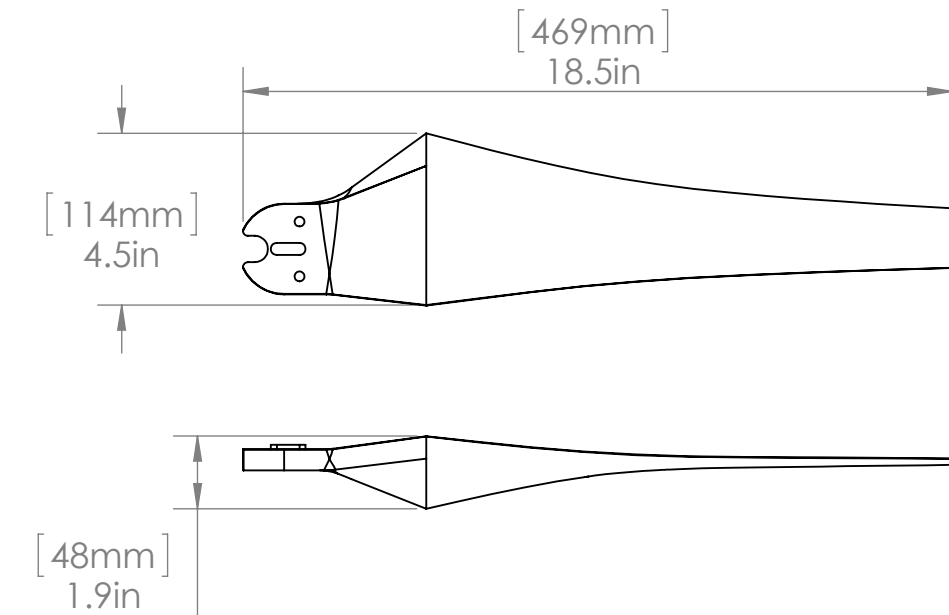


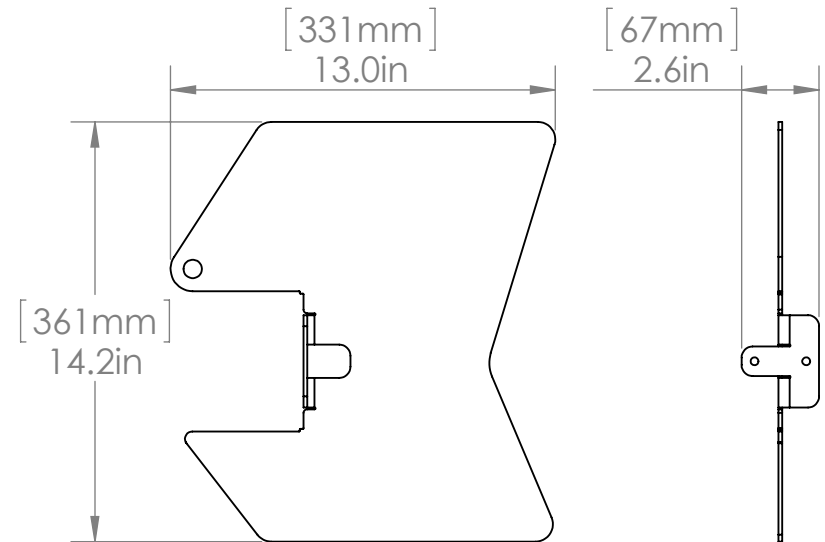
WT10 - SHIPPING DIMENSIONS



MAIN BODY (1/TURBINE)
PERMANENT MOUNT BLADES



BLADE (3/TURBINE)



TAIL (1/TURBINE)