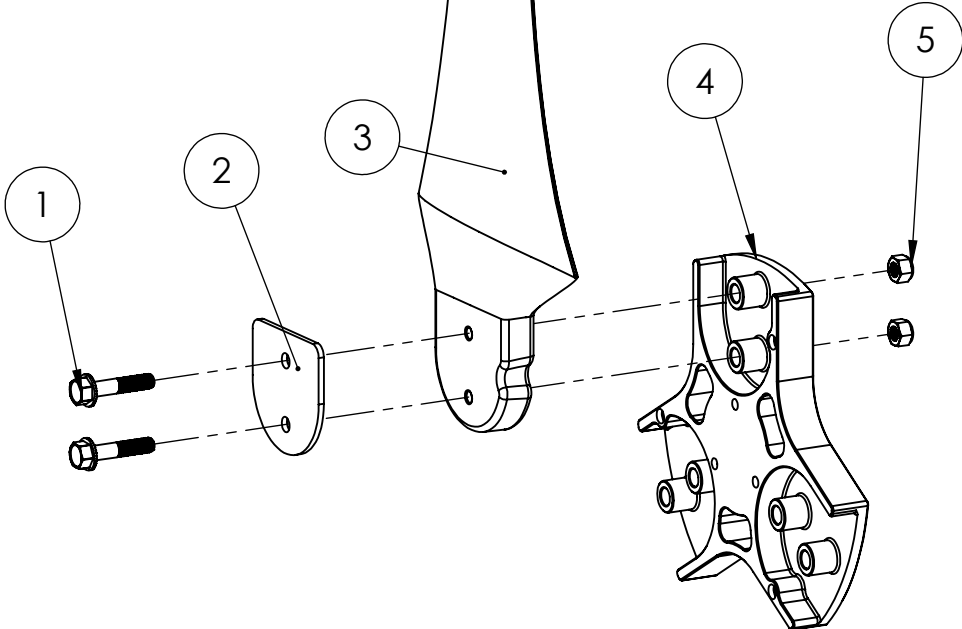
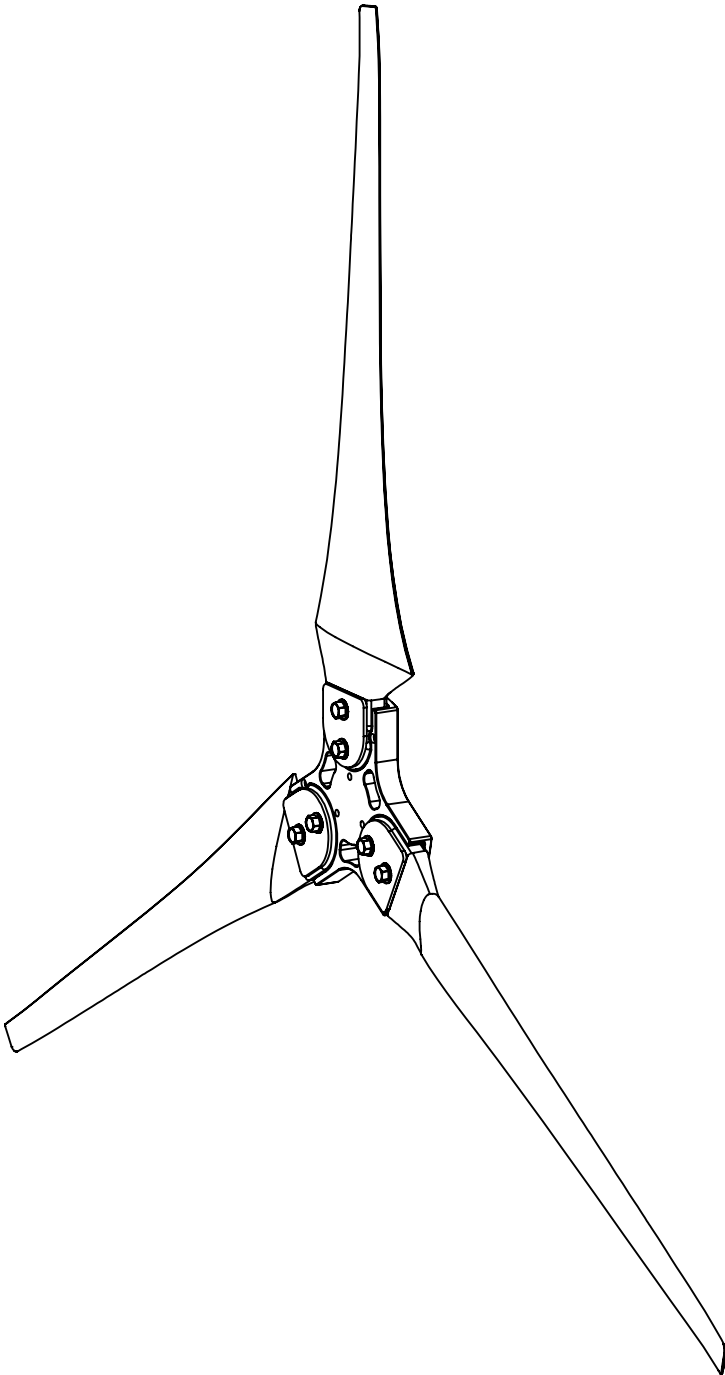


PERMANENT MOUNT BLADE OPTION



TORQUE BLADE FASTENERS TO 27N*m (20FT*LB)

ITEM NO.	DESCRIPTION	QTY.
1	5/16"-18 x 1-1/2" Serrated Flange Head Screw	6
2	Blade Plate	3
3	Blade	3
4	Turbine Hub	1
5	5/16"-18 Nylon Locknut	6