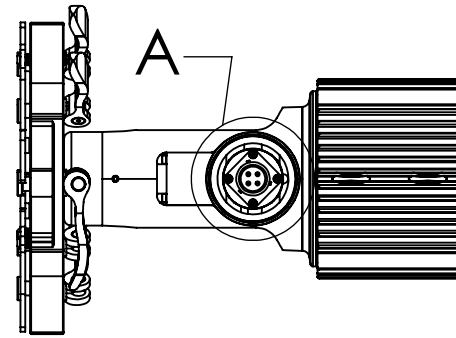
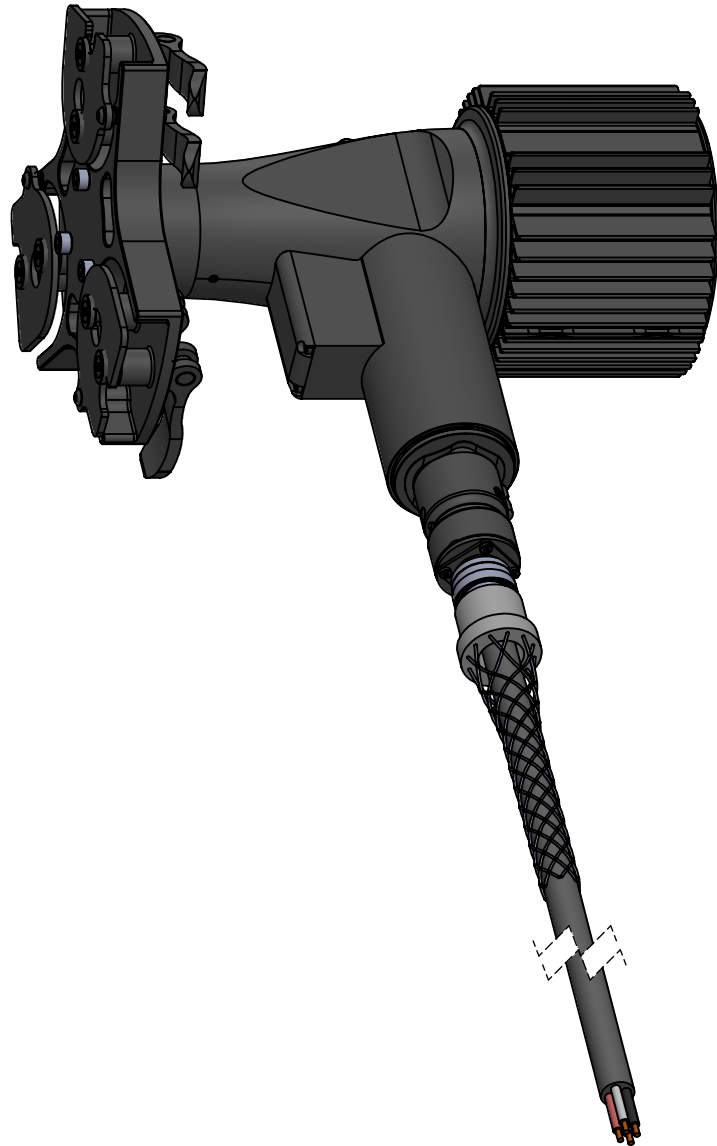
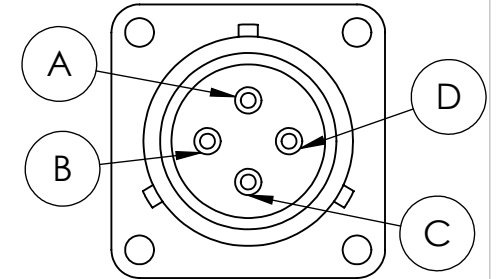


TURBINE CONNECTION TEST



BOTTOM VIEW OF TURBINE



DETAIL A
SCALE 1 : 1

TEST PROCEDURE:

- Install output cable onto turbine.
- Measure resistance between conductors (see table for acceptable values).
- Connect two phases together and rotate turbine hub. There should be noticeable cogging (clicking or intermittent resistance to turning).
- Connect all three phases together. Rotating hub should become smooth with significant resistance.

MEASURE BETWEEN	24V TURBINE RESISTANCE (OHM)	72/48V TURBINE RESISTANCE (OHM)
Phases (A,B,C)to Ground (D)	OPEN	OPEN
Phase A to Phase B	~0.6	~3.0
Phase A to Phase C	~0.6	~3.0
Phase B to Phase C	~0.6	~3.0