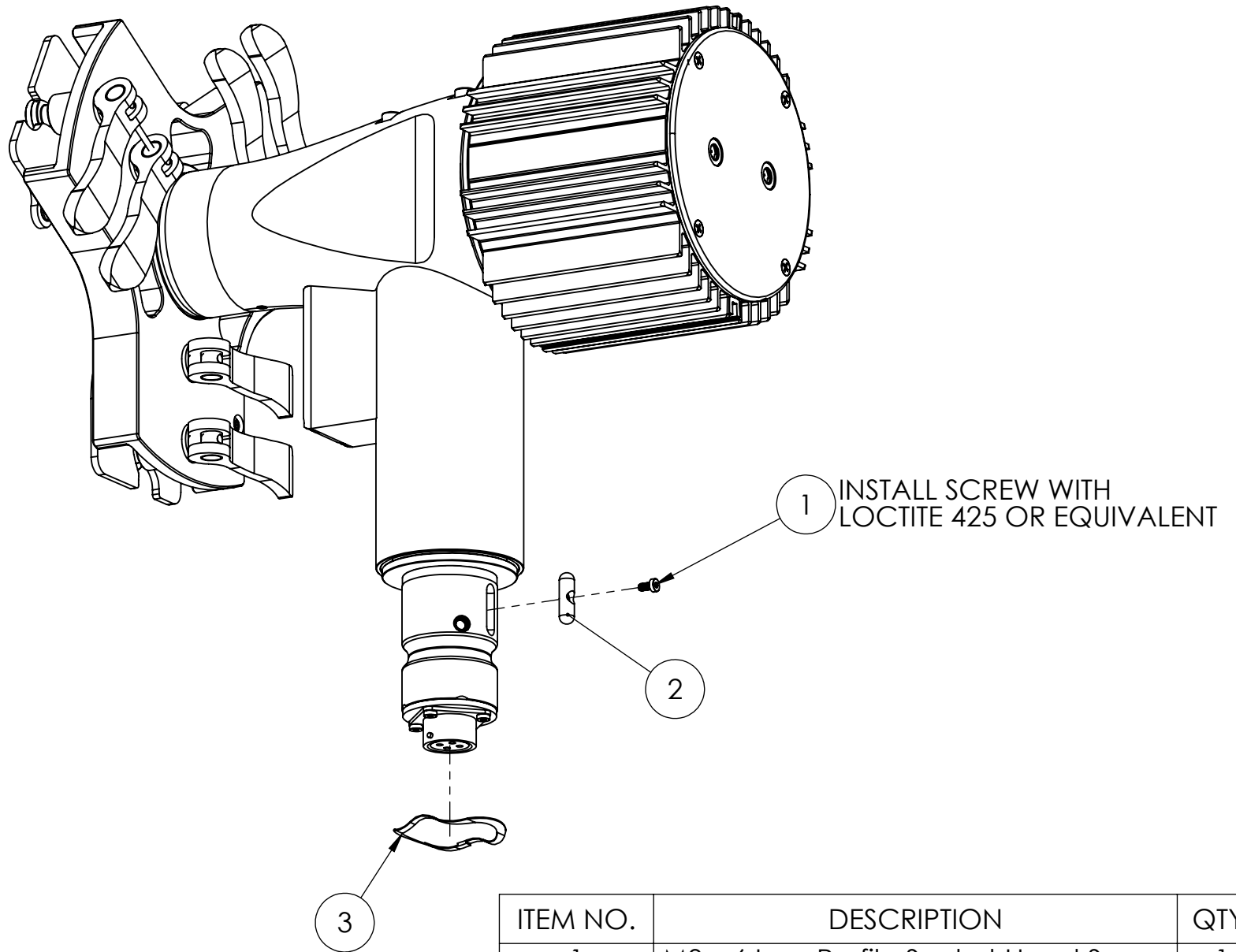


CONVERSION TO QUICK ATTACH TURBINE



ITEM NO.	DESCRIPTION	QTY.
1	M3 x 6 Low Profile Socket Head Screw	1
2	Yaw Spindle Key	1
3	Wave Spring	1