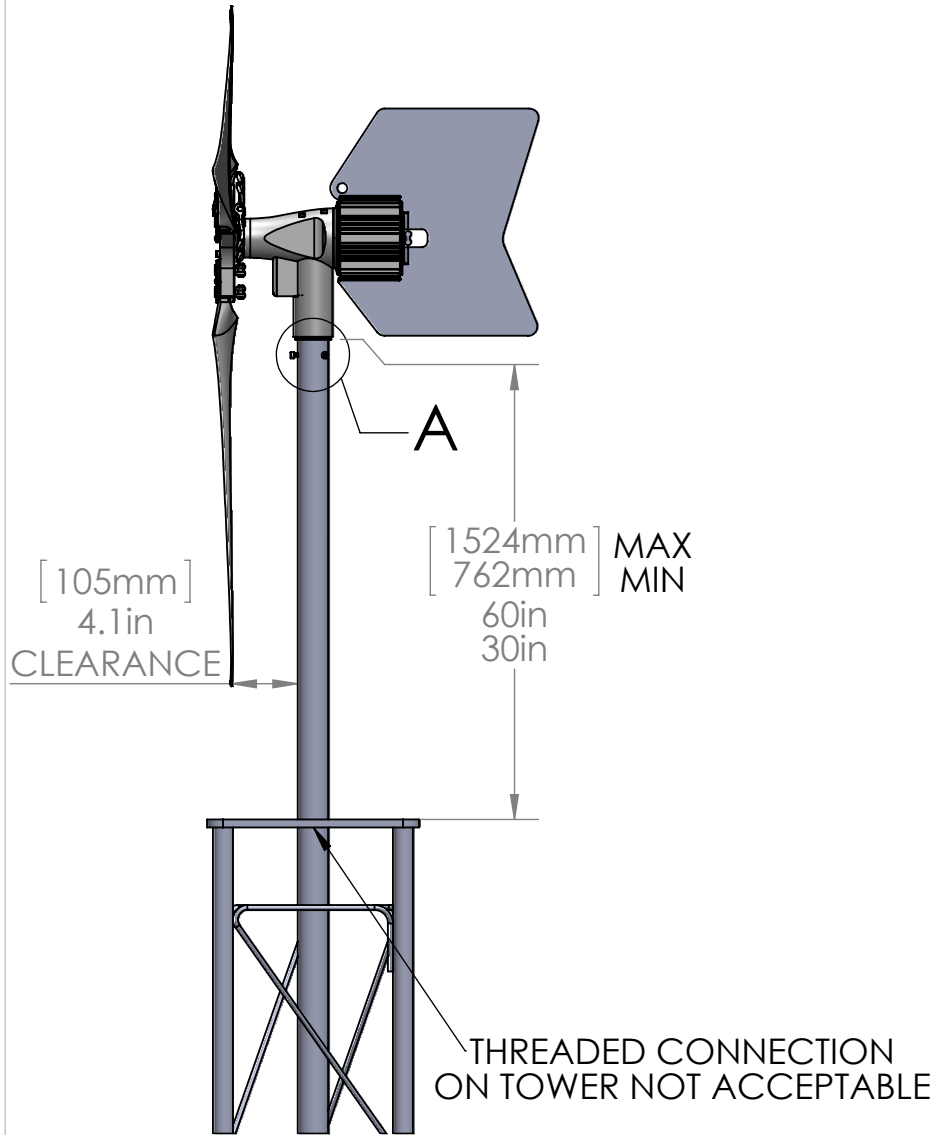


TOWER & MOUNTING DETAILS

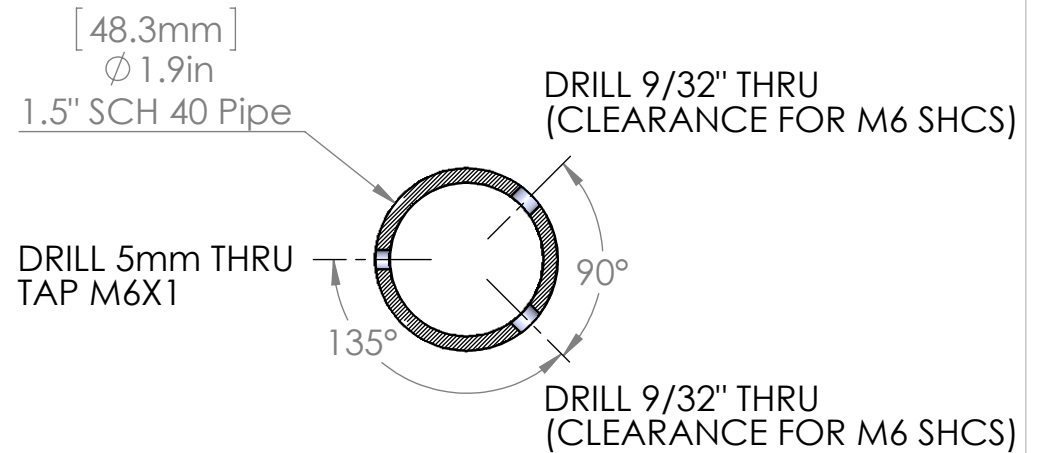
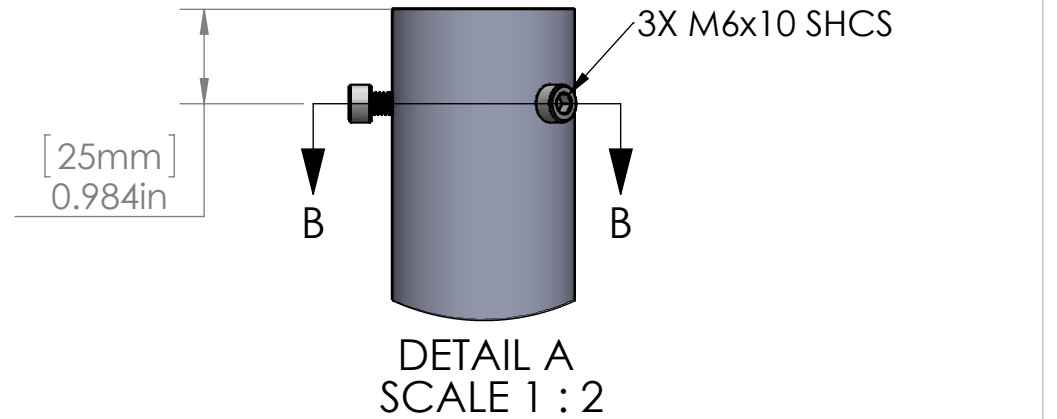


TURBINE THRUST (IN WIND DIRECTION):
 PER IEC 61400-2 EQUATION 32 (SIMPLIFIED)

$$F_x \text{ max} = 0.516 * V^2$$

WHERE:

$F_x \text{ max} = \text{MAX TURBINE THRUST (N)}$
 $V = \text{MAX WIND SPEED (m/s)}$



SECTION B-B
 SCALE 1 : 2