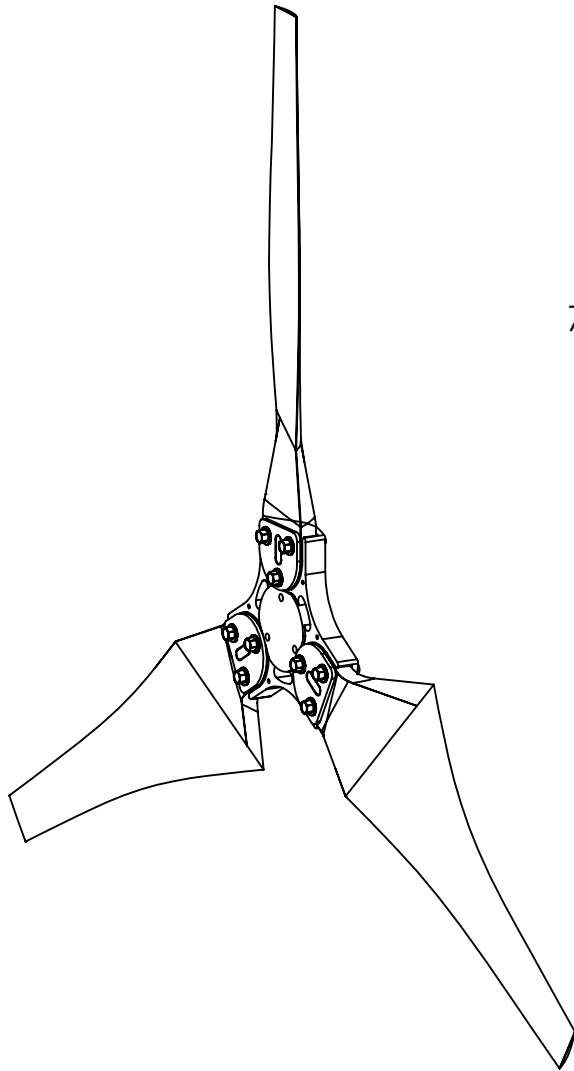
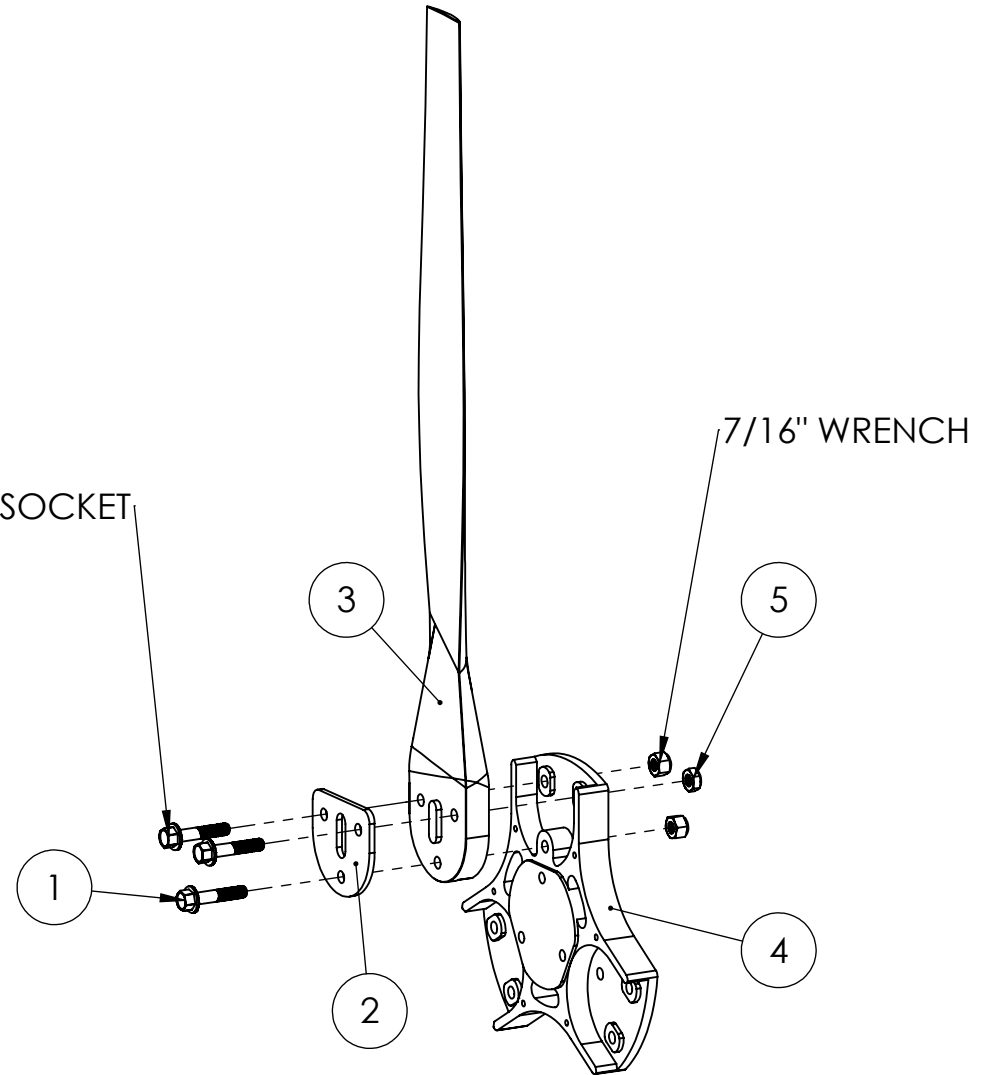


WT10 PERMANENT MOUNT BLADE OPTION

TOOL LIST: (2) 7/16" WRENCH OR SOCKET



7/16" WRENCH OR SOCKET



INSTALL LOCKNUTS UNTIL THEY JUST START TO BOTTOM ON HUB
THEN TORQUE ADDITIONAL 1/2 TURN

ITEM NO.	DESCRIPTION	QTY.
1	1/4"-20 x 1-1/4" Serrated Flange Head Screw	6
2	Blade Plate	3
3	Blade	3
4	Turbine Hub	1
5	1/4"-20 Nylon Locknut	6