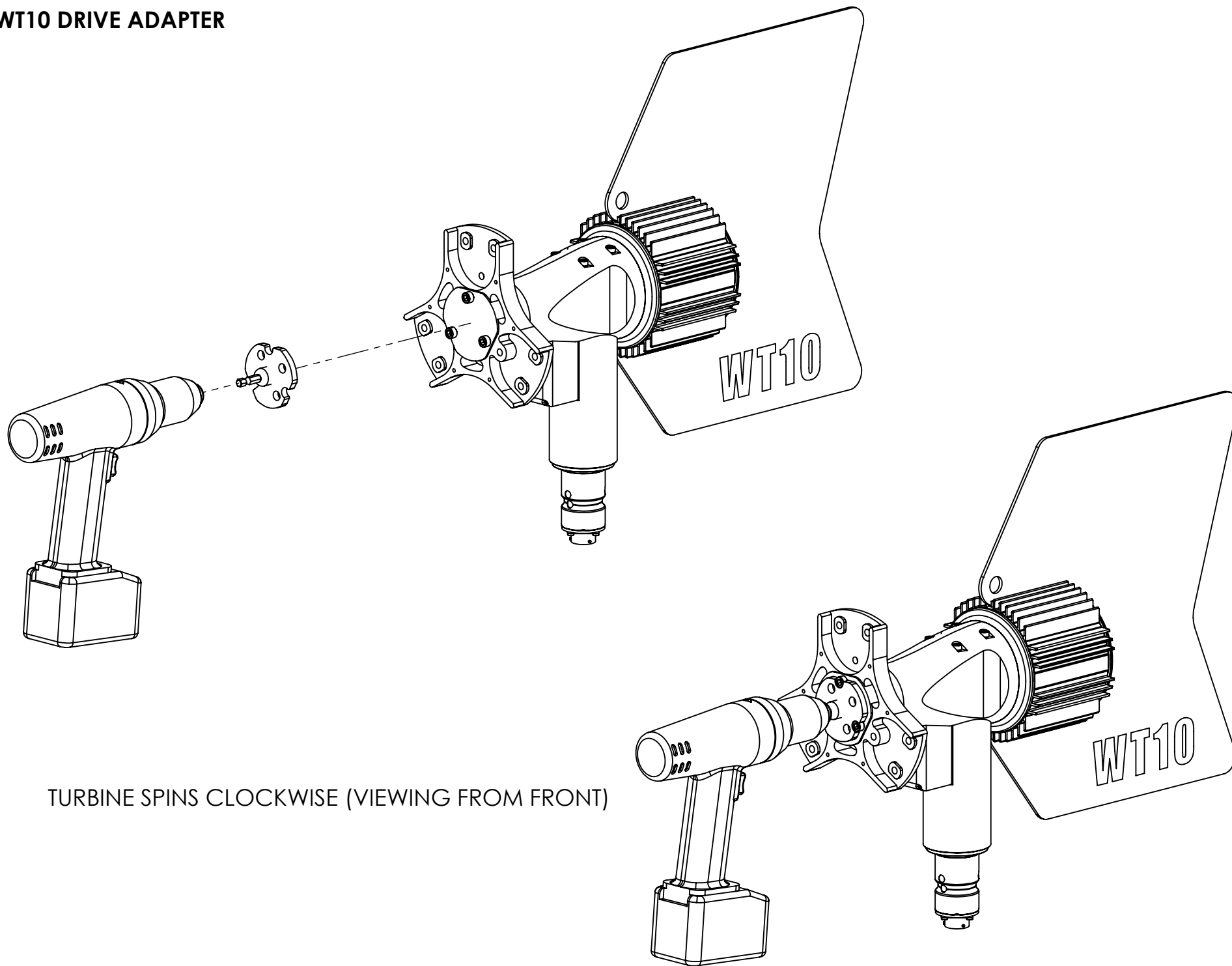


WT10 DRIVE ADAPTER



TURBINE SPINS CLOCKWISE (VIEWING FROM FRONT)