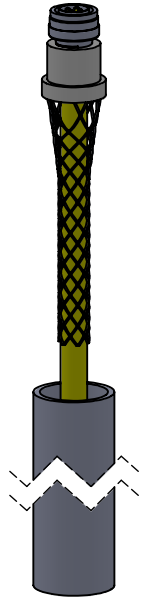
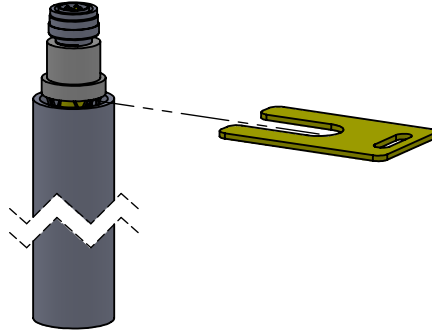


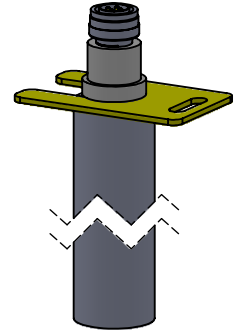
WT10 DROP CORD INSTALLATION



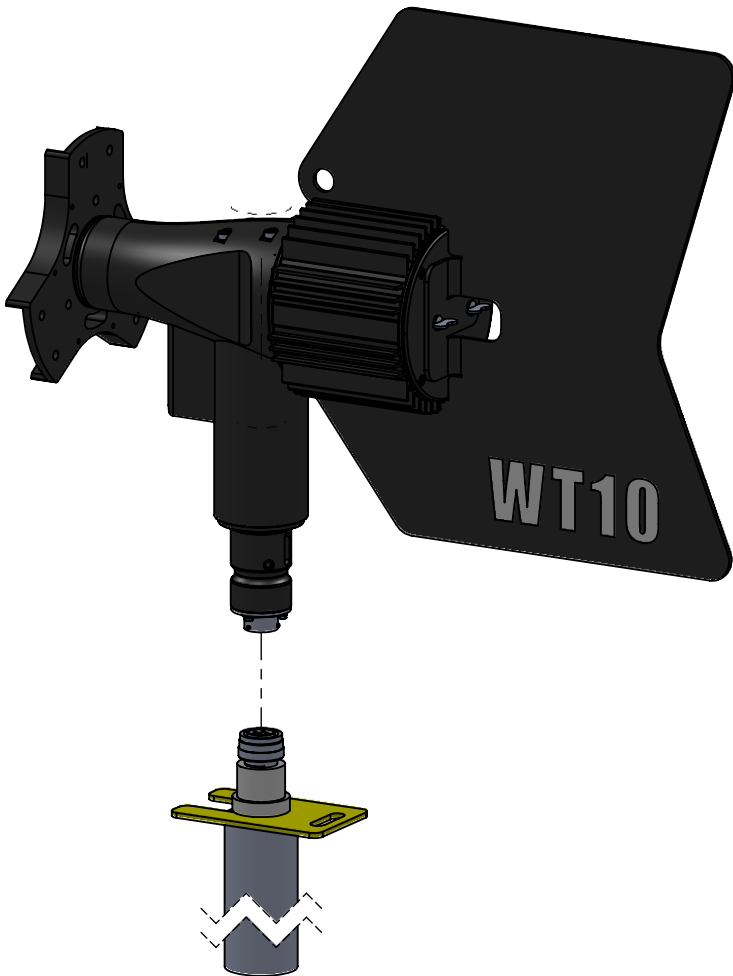
(1) FEED DROP UP MAST



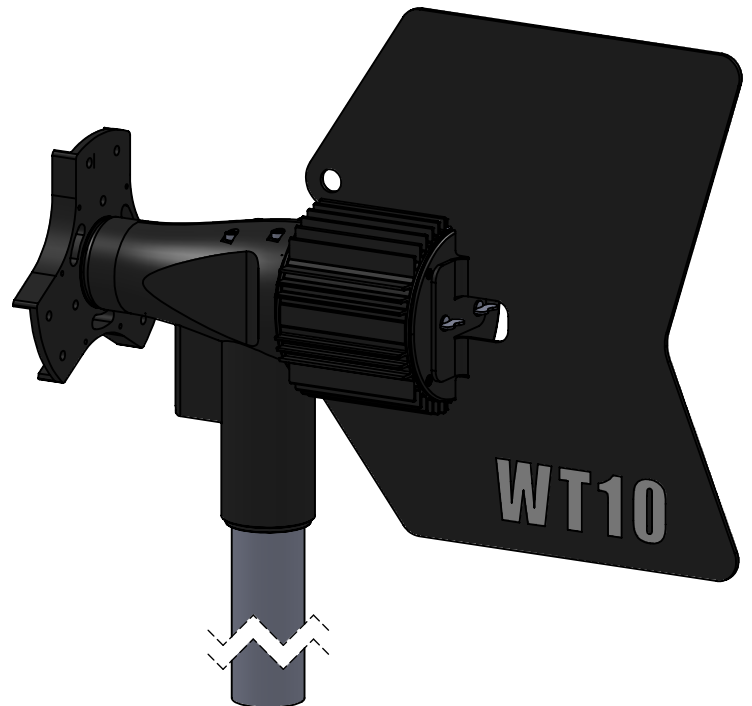
(2) INSERT KEEPER



KEEPER INSERTED



(3) CONNECT TURBINE



(4) REMOVE KEEPER AND LOWER TURBINE INTO MAST