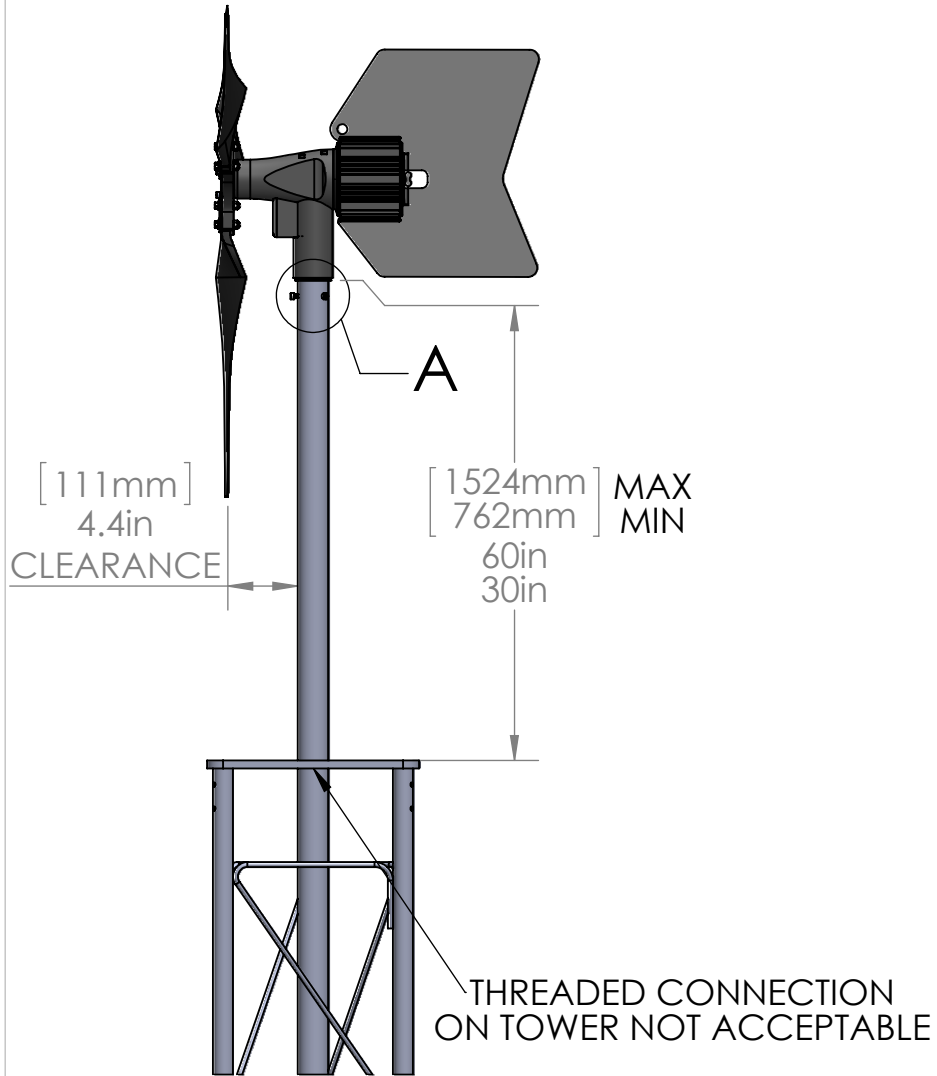


WT10 - TOWER & MOUNTING DETAILS



TURBINE THRUST (IN WIND DIRECTION):  
PER IEC 61400-2 EQUATION 32 (SIMPLIFIED)

$$F_x \text{ max} = 0.255 * V^2$$

WHERE:

$F_x \text{ max}$  = MAX TURBINE THRUST (N)  
 $V$  = MAX WIND SPEED (m/s)

