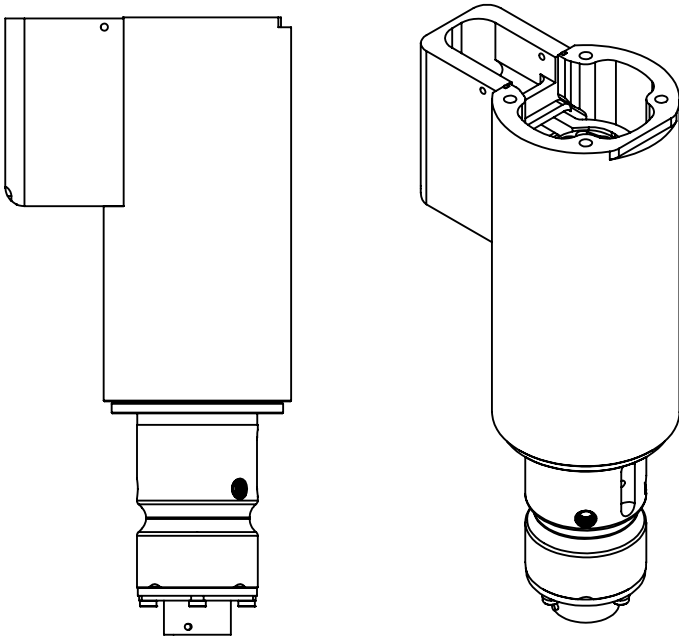


TURBINE YAW OPTIONS

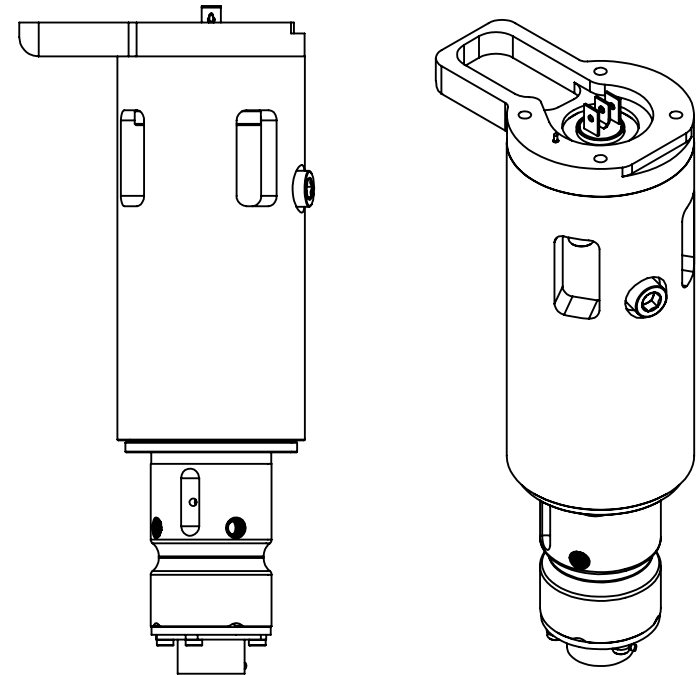
SLIP RING OPTION



NOTES:

- C360 BRASS SLIP RINGS
- SINTERED CARBON BRUSHES
- FOR EXTREME COLD INSTALLATIONS
- NOT RECOMMENDED FOR MARINE INSTALLATIONS

MERCURY SLIP RING



NOTES:

- AMBIENT TEMPERATURE DOWN TO -29°C (-20°F)
- MERCURY FILLED ROTATING ELECTRICAL CONNECTOR
- RECOMMENDED FOR MARINE INSTALLATIONS